

Arbus 400/850 Golden

English version

EDITION - 03/2013

CODE - 0

Parts catalog



M QUINAS AGR COLAS JACTO S.A.

Rua Dr. Luiz Miranda, 1650

17580-000 - Pomp ia - SP - Brasil

Tel.: +55 14 3405-2100 - Fax: +55 14 3452 1306

[E-mail: export@jacto.com.br](mailto:export@jacto.com.br)

Home page: <http://www.jacto.com.br>

ARBUS 400

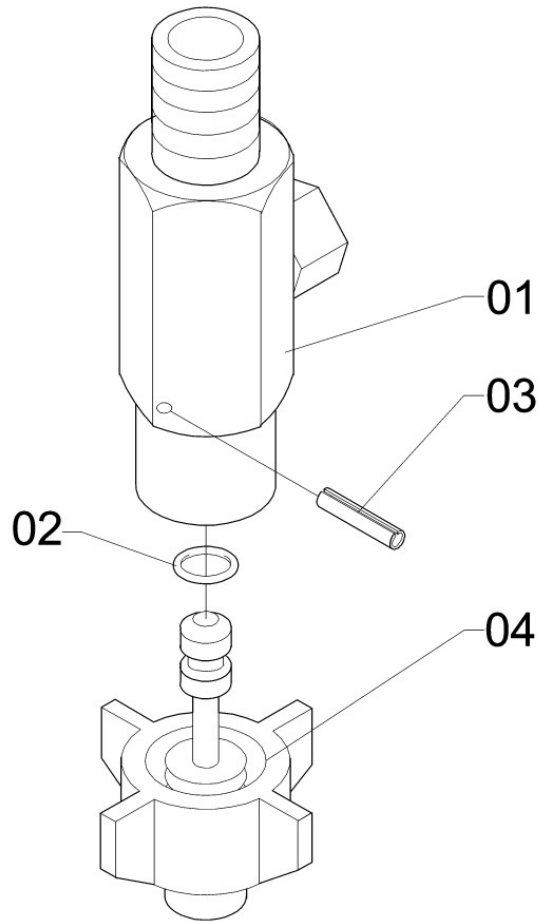
EQUIPMENT	PAGE
Arbus 400/850 Golden.....	4

Arbus 400/850 Golden

(Edition: 2013/03)

ENTIRE ASSEMBLIES	PAGE
ACCESSORIES BOX	
15-LITER TANK- LEFT	57
ACCESSORIES BOX	20
ASSEMBLY - COMBINATION WRENCH + SCREW WRENCH (FOR EXPORT)	50
FILLER UNIT FOR 75 L/MIN (WITHOUT HOSE)	52
FILLER UNIT 75 L/MIN. (WITH 10-METER HOSE)	54
FILLER UNIT BODY	51
FILLER UNIT FOR 74L/MIN (5-METER HOSE)	53
HOSE 1/2" WITH FITTING AND NUT 1.1/4"	55
HOSE 1/2" WITH FITTING AND WING NUT 1.1/4"	56
APPLICATION ASSEMBLY AND COMPLEMENTS	
APPLICATION ASSEMBLY (BRANCH 13 VALVE / 26 NOZZLES)	30
APPLICATION ASSEMBLY FOR 2P DEFLECTOR	28
DEFLECTOR - 2P	69
DEFLECTOR- 3P	70
GUARD SCREEN - ASSEMBLY	75
LEFT BRANCH FOR 12 NOZZLES	73
LEFT BRANCH FOR 13 NOZZLES	74
NOZZLE VALVE AAEMBLY	5
RIGHT BRANCH FOR 12 NOZZLES	71
RIGHT BRANCH FOR 13 NOZZLES	72
SIDE GUARD ASSEMBLY - 2P	67
SIDE GUARD ASSEMBLY - 3P	68
CHASSIS AND COMPLEMENTS	
CHASSIS AND COMPLEMENTS	6
CHEMICAL CIRCUIT AND COMPLEMENTS	
100-LITER SUCTION FILTER WITH VALVE	38
ACTUATOR - ASSEMBLY	32
ASSEMBLY LEVER	35
CHEMICAL CIRCUIT	14
CHEMICAL CIRCUIT (COFFE)	12
CHEMICAL CONTAINER RINSE NOZZLE	36
CHEMICAL CONTAINER RINSE NOZZLE ROD	37
CONTAINER RINSE NOZZLE NR 8	39
CONTROL (RELIEF/ PRESSURE REGULATOR VALVE)	18
CONTROL VAR-110/500	16
HOSE - CONTROL / NOZZLE BRANCH	43
HOSE - PUMP / CONTROL	40
HOSE - PUMP / FILTER	41
HYDRAULIC AGITATOR NO. 2	33
JP-75 PUMP (MODEL B)	10
LEVER	34
LID WITH BREATHER	44
PUMP VALVE	46
RETURN HOSE 1 X 1350	42
SPRAY PUMP JP-75	8
VALVE - CHEMICAL CONTAINER RINSE NOZZLE	45
PTO SHAFT Y COMPLEMENTS	
CONVENTIONAL PTO SHAFT 510 104 - Z= 6 X 30	47
CONVENTIONAL PTO SHAFT 510 S 104 - Z= 8 X 30	48
PTO SHAFT 710 WITH SHIELD (102 Z= 6 30)	49
STICKERS	
STICKER - "ANTI-FREEZING TEST OK"	66
STICKER (BE CAREFUL WHEN OPENING THE TANK LID)	65
STICKER (HAZARDOUS SUBSTANCES)	62
STICKERS: (ARBUS 400)	26
STICKERS: LEFT (ARBUS 400 GOLDEN)	64
STICKERS: RIGHT (ARBUS 400 GOLDEN)	63
TRANSMISSION AND COMPLEMENTS	
DRIVE TRANSMISSION	22
DRIVE TRANSMISSION AND COMPLEMENTS	60
DRIVEN TRANSMISSION AND COMPLEMENTS	24
FAN ASSEMBLY	61
FAN BEARING WITH PULLEY 105	59
GROOVED HUB WITH HITCH	58

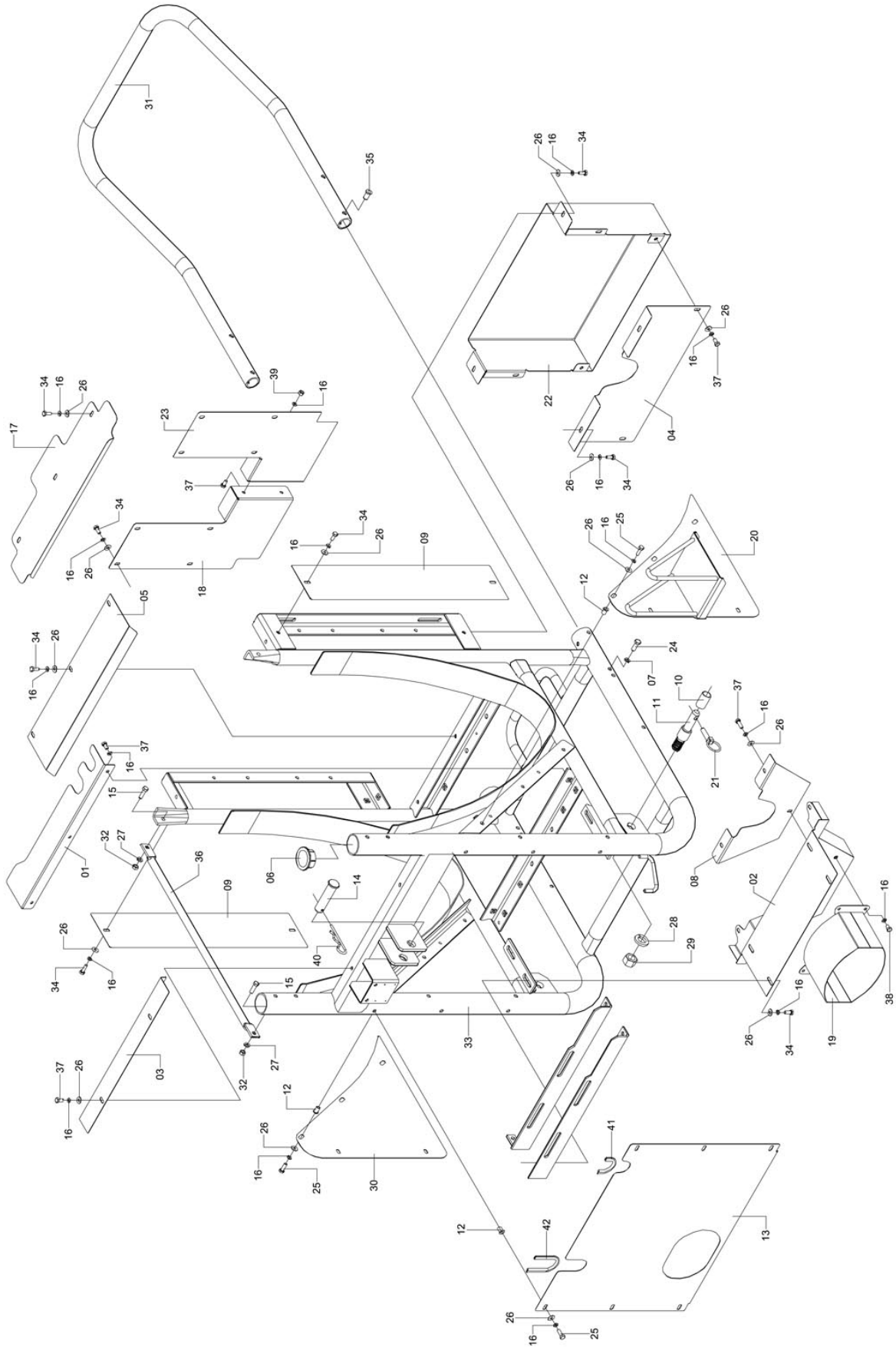
NOZZLE VALVE AAEMBLY



BC-37

Item	CODE	DESCRIPTION	Qty.	Item	CODE	DESCRIPTION	Qty.
00	429332	Nozzle valve aaemby	1				
01	716985	Nozzle holder	1				
02	426114	Packing ring	1				
03	426155	Pin 19	1				
04	717009	Valve	1				

CHASSIS AND COMPLEMENTS



C3P-104

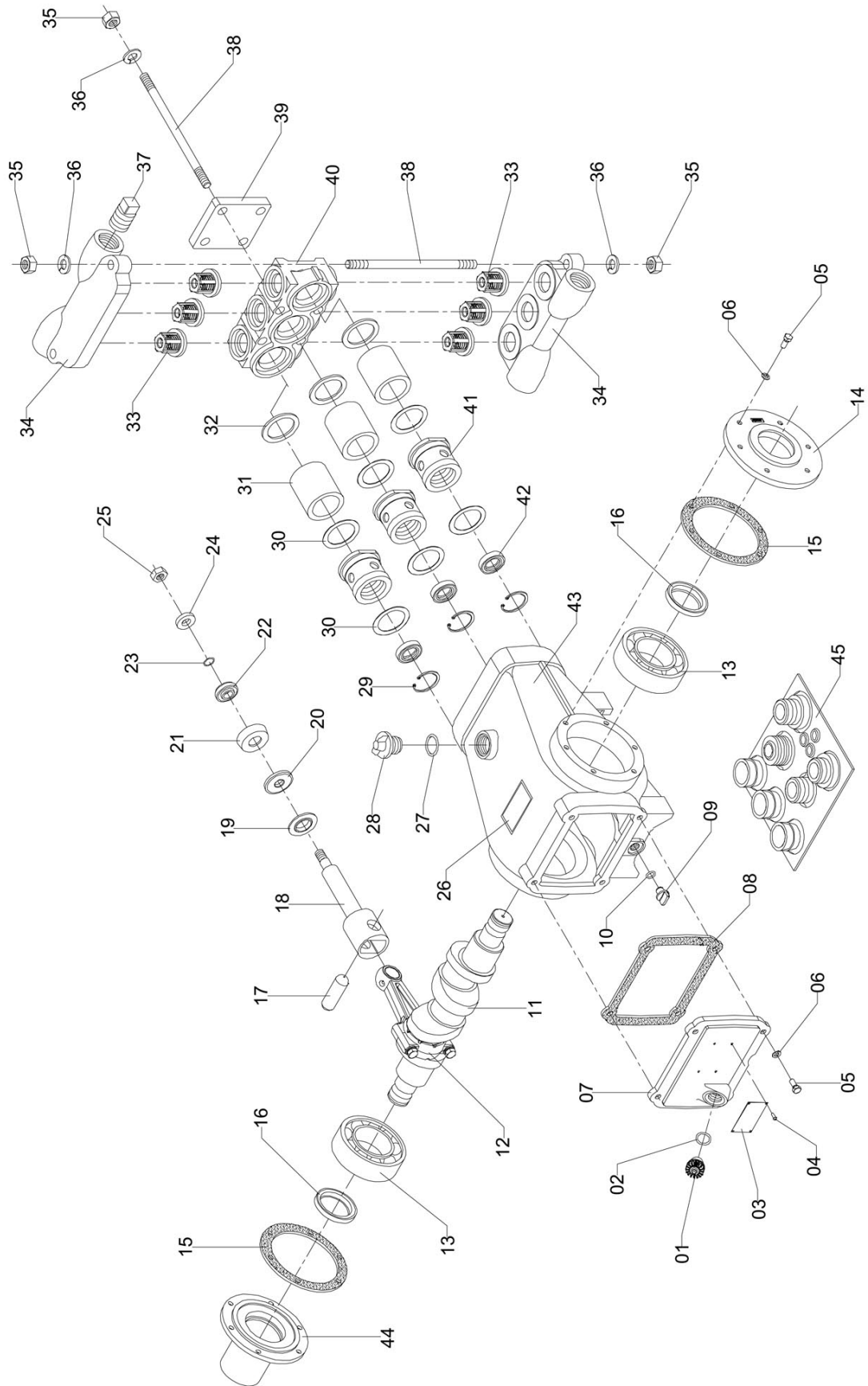
Controlled copy – Distribution and reproduction prohibited

CHASSIS AND COMPLEMENTS

Continuation

Item	CODE	DESCRIPTION	Qty.	Item	CODE	DESCRIPTION	Qty.
00	070367	Chassis and complements	1				
01	1167263	Tank front protection	1				
02	1167269	Driven transmission hood	1				
03	1167313	Upper front protection	1				
04	1167258	Transmission front plate	1				
05	1167259	Driven transmission lower protection	1				
06	018895	Plastic plug 52.3	2				
07	209395	Lock washer M10	4				
08	1167266	Motor transmission lower protection	1				
09	1167256	Deflector side	2				
10	400325	Lower coupling pin sleeve	2				
11	429027	Lower coupling pin 22 x 1	2				
12	182303	Tubular rivet with internal thread M8	16				
13	1167283	Front guard	1				
14	517383	Upper coupling pin 1" x 109	1				
15	518753	Bolt 3/8" - 16 UNC x 1.1/4"	4				
16	519736	Lock washer M8	65				
17	1167253	Deflector protection - Arbus-400	1				
18	1167255	Frame right protection	1				
19	1167273	PTO shaft guard tube	1				
20	1167279	15-liter container support	1				
21	812636	Universal lock pin 7/16"	2				
22	1167276	Pulley shield	1				
23	1168067	Frame left protection	1				
24	829515	Hex. bolt M10 x 30 x 1.5	4				
25	829382	Hex head bolt M8 x 25 x 1.25	16				
26	881276	Flat washer 87 x 200 x 12	53				
27	908566	Lock washer 3/8"	4				
28	910075	Lock washer 1"	2				
29	910430	Nut 1" - 8 UNC	2				
30	1167312	Right side protection	1				
31	069062	Shock absorber body	1				
32	518761	Hex. nut 3/8"	4				
33	944371	Chassis	1				
34	829374	Hex. head bolt M8 x 20 x 1.25 -cl 8.8	32				
35	991539	Rivet -M10 x 1.5 (stainless steel)	4				
36	991828	Angle brace 737	2				
37	829341	Hex. head bolt M8 x 16 x 1.25	10				
38	033696	Hex. head bolt M8 x 12 x 1.25	4				
39	810770	Hex. nut M8 x 1.25	6				
40	517409	Cotter pin 3/16"	1				
41	721928	Rubber profile 100	1				
42	1180498	Protection fitting 185 mm	1				

SPRAY PUMP JP-75



B-167

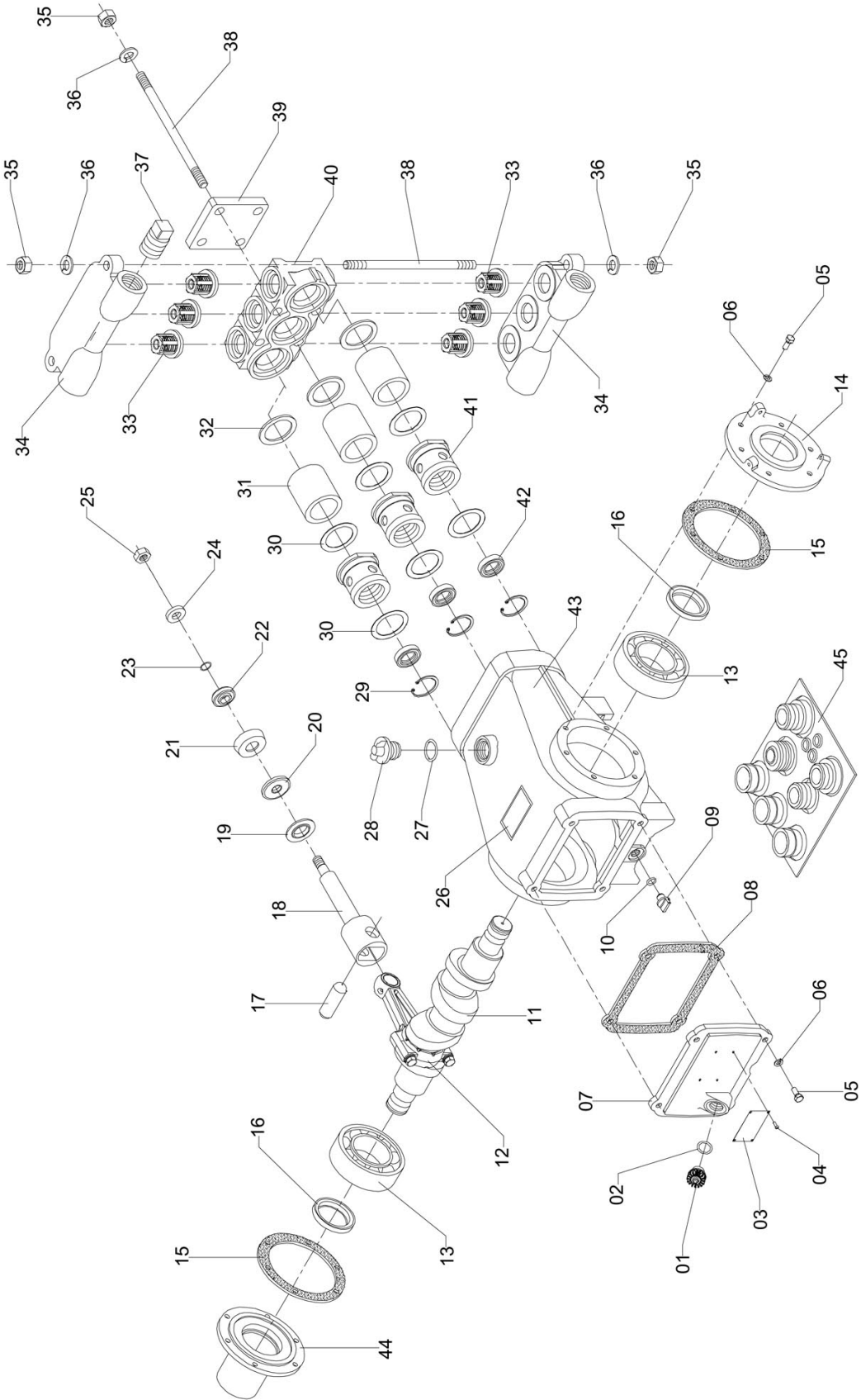
SPRAY PUMP JP-75

Continuation

Item	CODE	DESCRIPTION	Qty.	Item	CODE	DESCRIPTION	Qty.
00	050245	Spray pump JP-75	1				
01	213736	Plug 1/2" BSP	1				
02	210146	O-ring OR1-117	1				
03	1159487	Identification plate "Engraved"	1				
04	109587	Round head rivet	4				
05	663153	Hex. bolt 5/16" - 18 UNC x 3/4"	22				
06	519736	Lock washer M8	16				
07	110338	Pump cover	1				
08	110379	Packing	1				
09	520775	Drain plug 1/4" BSP	1				
10	325290	O-ring OR1-112	1				
11	130427	Crankshaft	1				
12	130401	Connecting rod assembly	3				
13	107557	Fixed bearing	2				
14	911727	Flange with wing	2				
15	912147	Packing	2				
16	106930	Retainer	2				
17	911677	Connecting rod shaft	3				
18	012922	Rod guide	3				
19	211524	Scraper ring	3				
20	911842	Piston cup assembly	3				
21	211482	Piston cup	3				
22	211375	Piston	3				
23	901405	O-ring ORI-014	3				
24	911867	Flat washer 130 x 254 x 50	3				
25	324178	Nut 1/4" - 20 UNF	3				
26	959957	Sticker: "Keep oil on level"	1				
27	012724	O-ring ORI-119	1				
28	328542	Plug 3/4" BSP	1				
29	107524	Snap ring for hole 36	3				
30	912154	Packing 54 x 41.5 x 0.4	6				
31	423517	Pump sleeve	3				
32	912493	Seal washer 54 x 2.0	3				
33	261404	Pump valve	6				
34	071498	Valve cover	2				
35	912790	Hex. nut 1/2" - 13 UNC	8				
36	908582	Lock washer 1/2"	8				
37	911305	Plug 1/2" BSP	2				
38	911974	Stud bolt 1/2" - 13 UNC x 210	6				
39	110320	Clip plate	1				
40	071506	Head JP-75 C (machined part)	1				
41	911750	Sleeve guide 35	3				
42	106922	Retainer 22 x 35.2 x 7	3				
43	110247	Pump body	1				
44	018523	Flange with wing	1				
45	217133	Pump repair kit	1				
	824201	Lubricating oil - Texaco	2				
	989251	Sticker: "CAF " [COFFEE]	3				

Controlled copy – Distribution and reproduction prohibited

JP-75 PUMP (MODEL B)



B-168

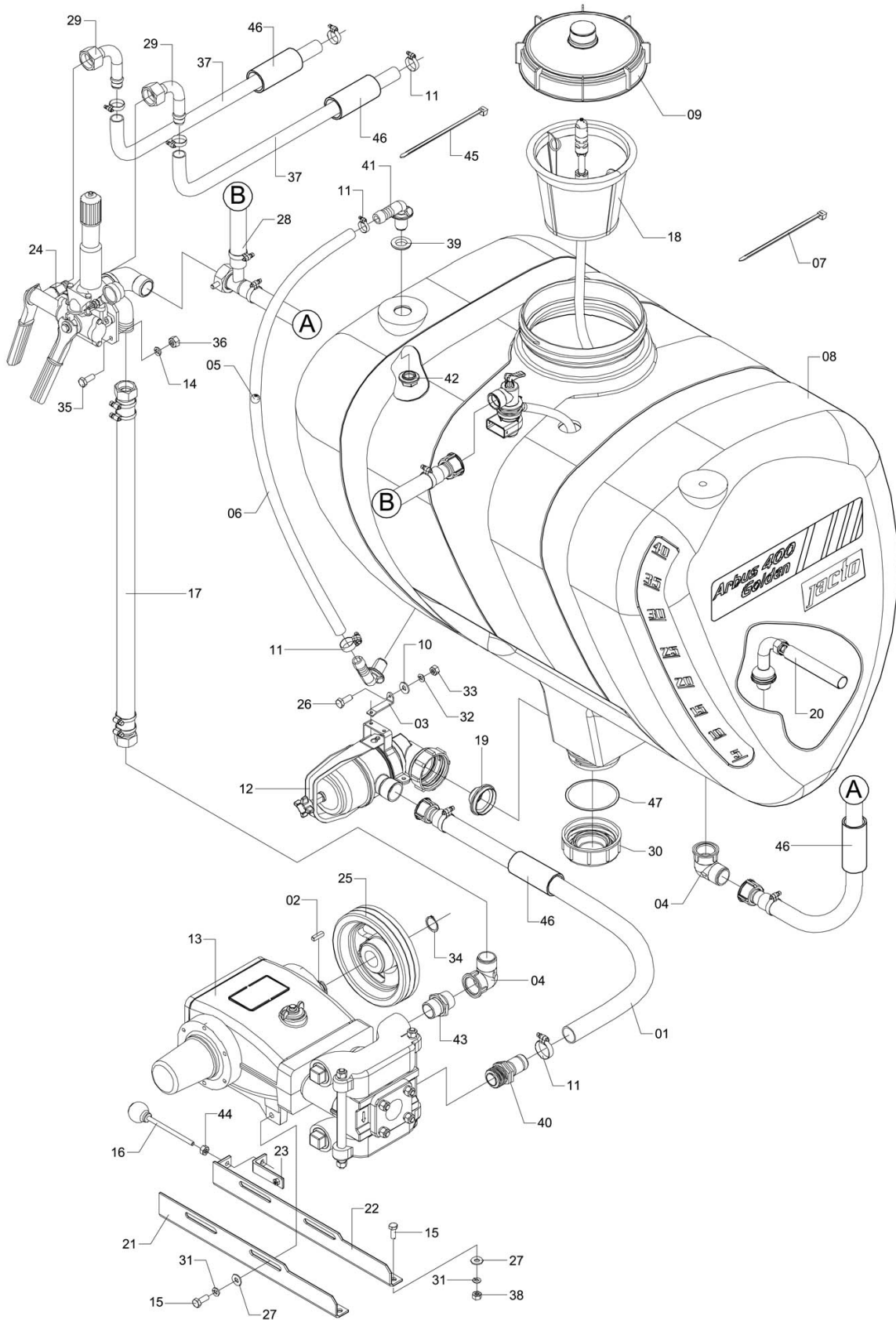
JP-75 PUMP (MODEL B)

Continuation

Item	CODE	DESCRIPTION	Qty.	Item	CODE	DESCRIPTION	Qty.
00	019398	JP-75 Pump (Model B)	1				
01	213736	Plug 1/2" BSP	1				
02	210146	O-ring OR1-117	1				
03	110387	Identification plate	1				
04	109587	Round head rivet	4				
05	663153	Hex. bolt 5/16" - 18 UNC x 3/4"	22				
06	519736	Lock washer M8	16				
07	110338	Pump cover	1				
08	110379	Packing	1				
09	520775	Drain plug 1/4" BSP	1				
10	325290	O-ring OR1-112	1				
11	130427	Crankshaft	1				
12	130401	Connecting rod assembly	3				
13	107557	Fixed bearing	2				
14	911727	Flange with wing	1				
15	912147	Packing	2				
16	106930	Retainer	2				
17	911677	Connecting rod shaft	3				
18	012922	Rod guide	3				
19	211524	Scraper ring	3				
20	911842	Piston cup assembly	3				
21	211482	Piston cup	3				
22	211375	Piston	3				
23	901405	O-ring ORI-014	3				
24	911867	Flat washer 130 x 254 x 50	3				
25	324178	Nut 1/4" - 20 UNF	3				
26	959957	Sticker: "Keep oil on level"	1				
27	012724	O-ring ORI-119	1				
28	328542	Plug 3/4" BSP	1				
29	107524	Snap ring for hole 36	3				
30	912154	Packing 54 x 41.5 x 0.4	6				
31	423517	Pump sleeve	3				
32	912493	Seal washer 54 x 2.0	3				
33	261404	Pump valve	6				
34	110304	Valves cover	2				
35	912790	Hex. nut 1/2" - 13 UNC	8				
36	908582	Lock washer 1/2"	8				
37	911305	Plug 1/2" BSP	4				
38	911974	Stud bolt 1/2" - 13 UNC x 210	6				
39	110320	Clip plate	1				
40	110288	Pump head	1				
41	911750	Sleeve guide 35	3				
42	106922	Retainer 22 x 35.2 x 7	3				
43	110247	Pump body	1				
44	018523	Flange with wing	1				
45	217133	Pump repair kit	1				
	824201	Lubricating oil - Texaco	2				

Controlled copy – Distribution and reproduction prohibited

CHEMICAL CIRCUIT (COFFE)



CD-789

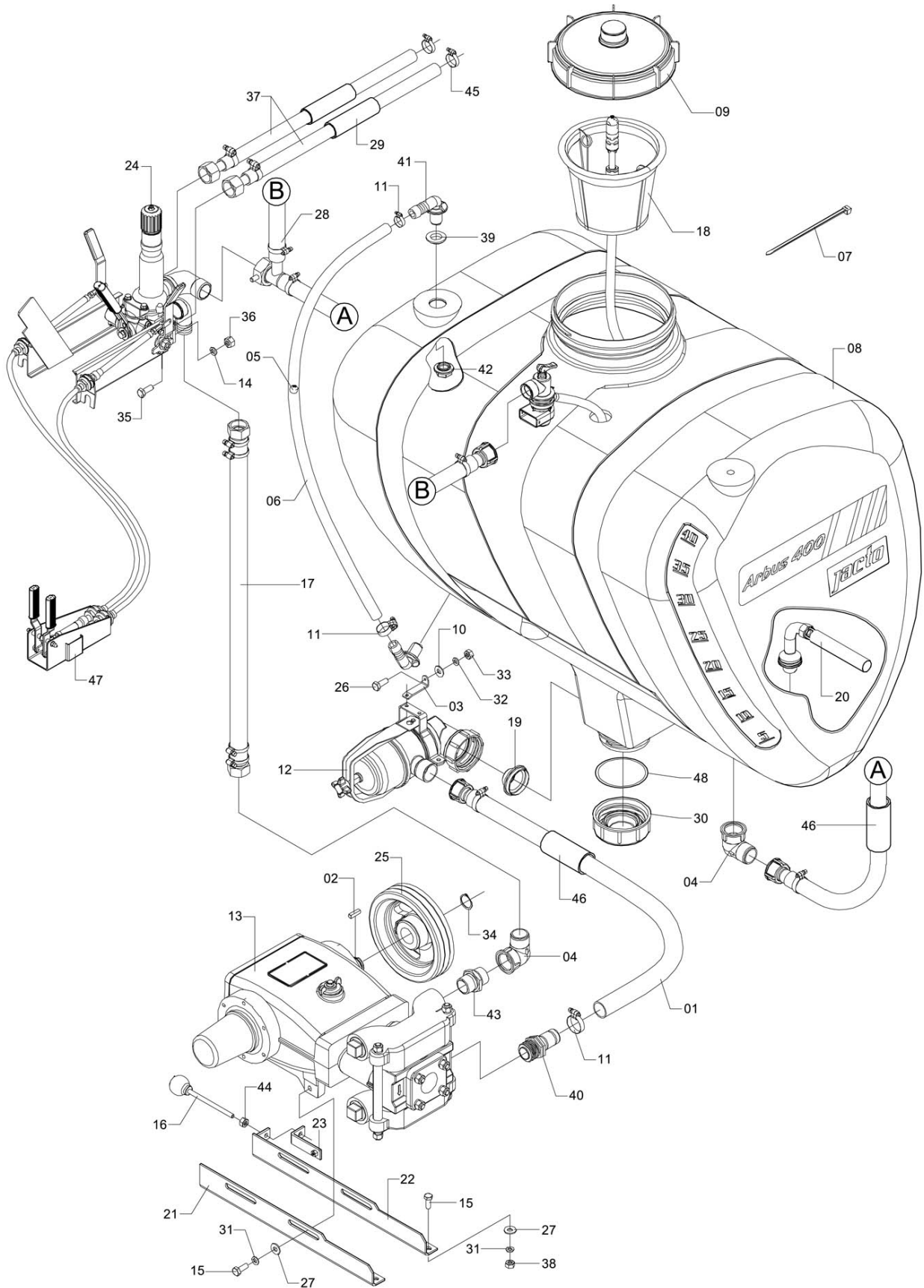
CHEMICAL CIRCUIT (COFFE)

Continuation

Item	CODE	DESCRIPTION	Qty.	Item	CODE	DESCRIPTION	Qty.
00	990853	Chemical circuit (coffe)	1				
01	138156	Hose - Pump / Filter	1				
02	015305	Square key 5/16" x 30	1				
03	203372	Filter bracket	1				
04	902817	Male/female elbow 1" BSP x 90°	2				
05	324764	Float 14	1				
06	324798	Hose 3/4" x 1030	1				
07	326710	Hose tie	3				
08	136630	Tank 400 Liter	1				
09	037374	Lid with breather	1				
10	413468	Flat washer 6,8 X 18 X 1,2	1				
11	423814	Clamp D22-32 - stainless steel	7				
12	425959	100-liter suction Filter with Valve	1				
13	050245	Spray pump JP-75	1				
14	519736	Lock washer M8	2				
15	520205	Bolt 1/2" - 13 UNC x 1.1/4"	8				
16	542613	Tightening screw 3/8" - 16 UNC x 100	1				
17	057976	Hose - Pump / Control	1				
18	136648	Container rinse nozzle NR 8	1				
19	005934	Valve seat	1				
20	628693	Hydraulic agitator no. 2	1				
21	1168523	Pump base	1				
22	628743	Pump support II	1				
23	628750	Tightener	1				
24	630384	Control VAR-110/500	1				
25	630798	Pulley 175-2B	1				
26	073890	Hex. head bolt 1/4" - 28 UNF x 3/4" - degree 5	1				
27	818112	Flat washer 130 x 240 x 30	8				
28	138123	Return hose 1 x 1350	1				
29	350090	Curve fitting 3/4" x 90°	2				
30	900761	Drain cap 67	1				
31	908582	Lock washer 1/2"	8				
32	910117	Lock washer 1/4"	2				
33	910125	Nut 1/4"- 28 UNF	1				
34	910166	Snap ring for shaft	1				
35	912667	Bolt 5/16" x 18 UNC x 7/8	2				
36	912758	Hex. nut 5/16" - 18 UNC	2				
37	991380	Hose 3/4" x 2400	2				
38	912790	Hex. nut 1/2" - 13 UNC	4				
39	973024	Seal 36 x 21 x 6	2				
40	404459	Hose fitting 1" x 1" BSP	1				
41	428730	Elbow 3/4" x 1/2" BSP -14 F.P.P.	2				
42	428748	Flanged nut 1/2" BSP -14 F.P.P.	2				
43	202861	Nipple 1" BSP - 11 F.P.P.	1				
44	518761	Hex. nut 3/8"	2				
45	323584	Hose tie	6				
46	172049	Protective Hose 25,4(1") x 170 - KM-25 Blue	4				
47	096032	Packing ring 60,8 x 50,2	1				

Controlled copy – Distribution and reproduction prohibited

CHEMICAL CIRCUIT



CD-790

Controlled copy – Distribution and reproduction prohibited

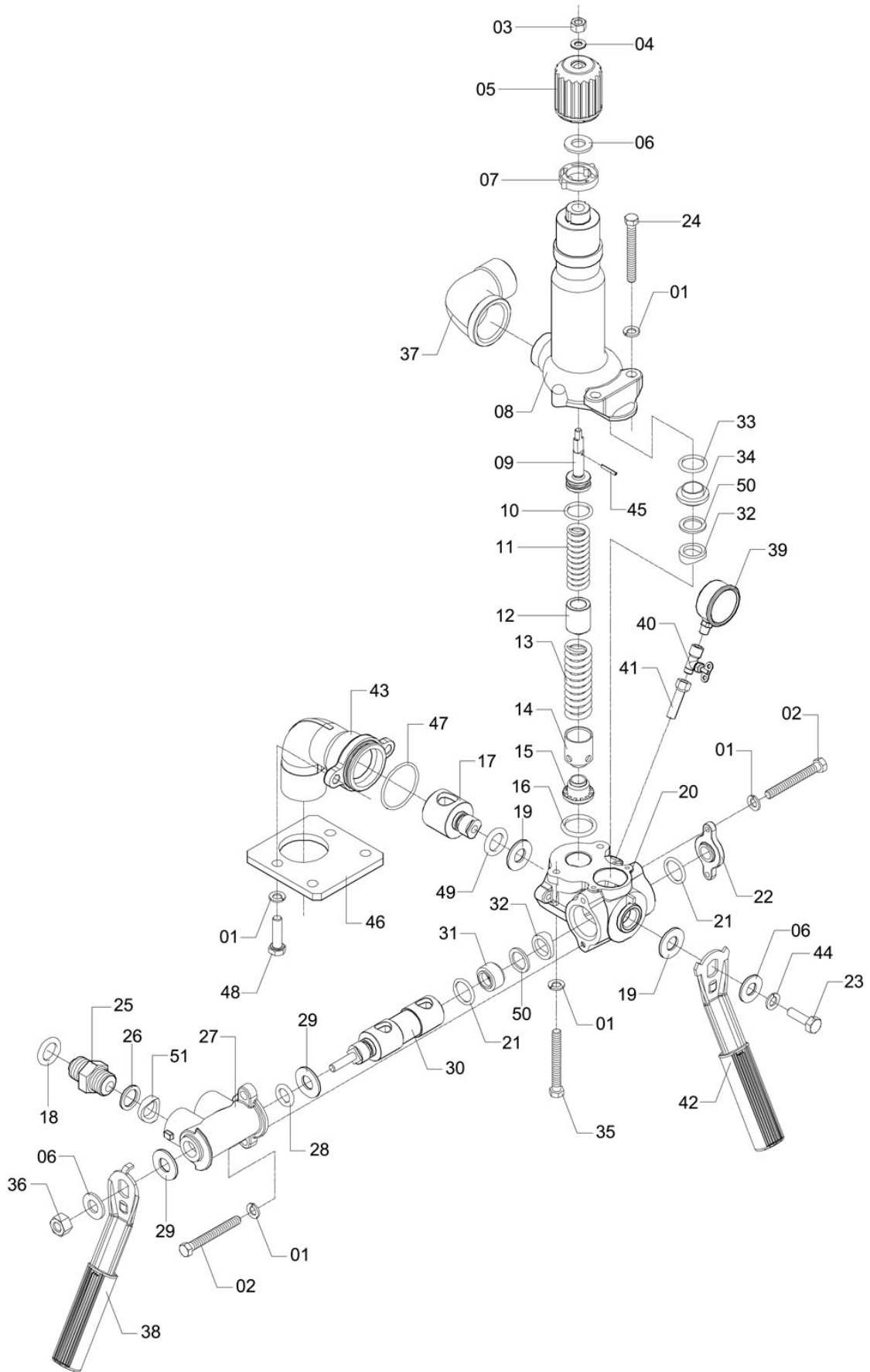
CHEMICAL CIRCUIT

Continuation

Item	CODE	DESCRIPTION	Qty.	Item	CODE	DESCRIPTION	Qty.
00	554659	Chemical circuit	1				
01	138156	Hose - Pump / Filter	1				
02	015305	Square key 5/16" x 30	1				
03	203372	Filter bracket	1				
04	902817	Male/female elbow 1" BSP x 90°	2				
05	324764	Float 14	1				
06	324798	Hose 3/4" x 1030	1				
07	326710	Hose tie	3				
08	136630	Tank 400 Liter	1				
09	037374	Lid with breather	1				
10	413468	Flat washer 6,8 X 18 X 1,2	1				
11	423814	Clamp D22-32 - stainless steel	3				
12	425959	100-liter suction Filter with Valve	1				
13	019398	JP-75 Pump (Model B)	1				
14	519736	Lock washer M8	2				
15	520205	Bolt 1/2" - 13 UNC x 1.1/4"	8				
16	542613	Tightening screw 3/8" - 16 UNC x 100	1				
17	057976	Hose - Pump / Control	1				
18	136648	Container rinse nozzle NR 8	1				
19	005934	Valve seat	1				
20	628693	Hydraulic agitator no. 2	1				
21	1168523	Pump base	1				
22	628743	Pump support II	1				
23	628750	Tightener	1				
24	357921	Control (relief/ pressure regulator valve)	1				
25	630798	Pulley 175-2B	1				
26	073890	Hex. head bolt 1/4" - 28 UNF x 3/4" - degree 5	1				
27	818112	Flat washer 130 x 240 x 30	8				
28	138123	Return hose 1 x 1350	1				
29	111948	Protective hose 1.1/4"	2				
30	900761	Drain cap 67	1				
31	908582	Lock washer 1/2"	8				
32	910117	Lock washer 1/4"	2				
33	910125	Nut 1/4"- 28 UNF	1				
34	910166	Snap ring for shaft	1				
35	912667	Bolt 5/16" x 18 UNC x 7/8	2				
36	912758	Hex. nut 5/16" - 18 UNC	2				
37	159764	Hose - Control / Nozzle branch	2				
38	912790	Hex. nut 1/2" - 13 UNC	4				
39	973024	Seal 36 x 21 x 6	2				
40	404459	Hose fitting 1" x 1" BSP	1				
41	428730	Elbow 3/4" x 1/2" BSP -14 F.P.P.	2				
42	428748	Flanged nut 1/2" BSP -14 F.P.P.	2				
43	202861	Nipple 1" BSP - 11 F.P.P.	1				
44	518761	Hex. nut 3/8"	2				
45	107664	Clamp D14-22 - stainless steel	2				
46	172049	Protective Hose 25,4(1") x 170 - KM-25 Blue	2				
47	159830	Actuator - assembly	1				
48	096032	Packing ring 60,8 x 50,2	1				

Controlled copy – Distribution and reproduction prohibited

CONTROL VAR-110/500



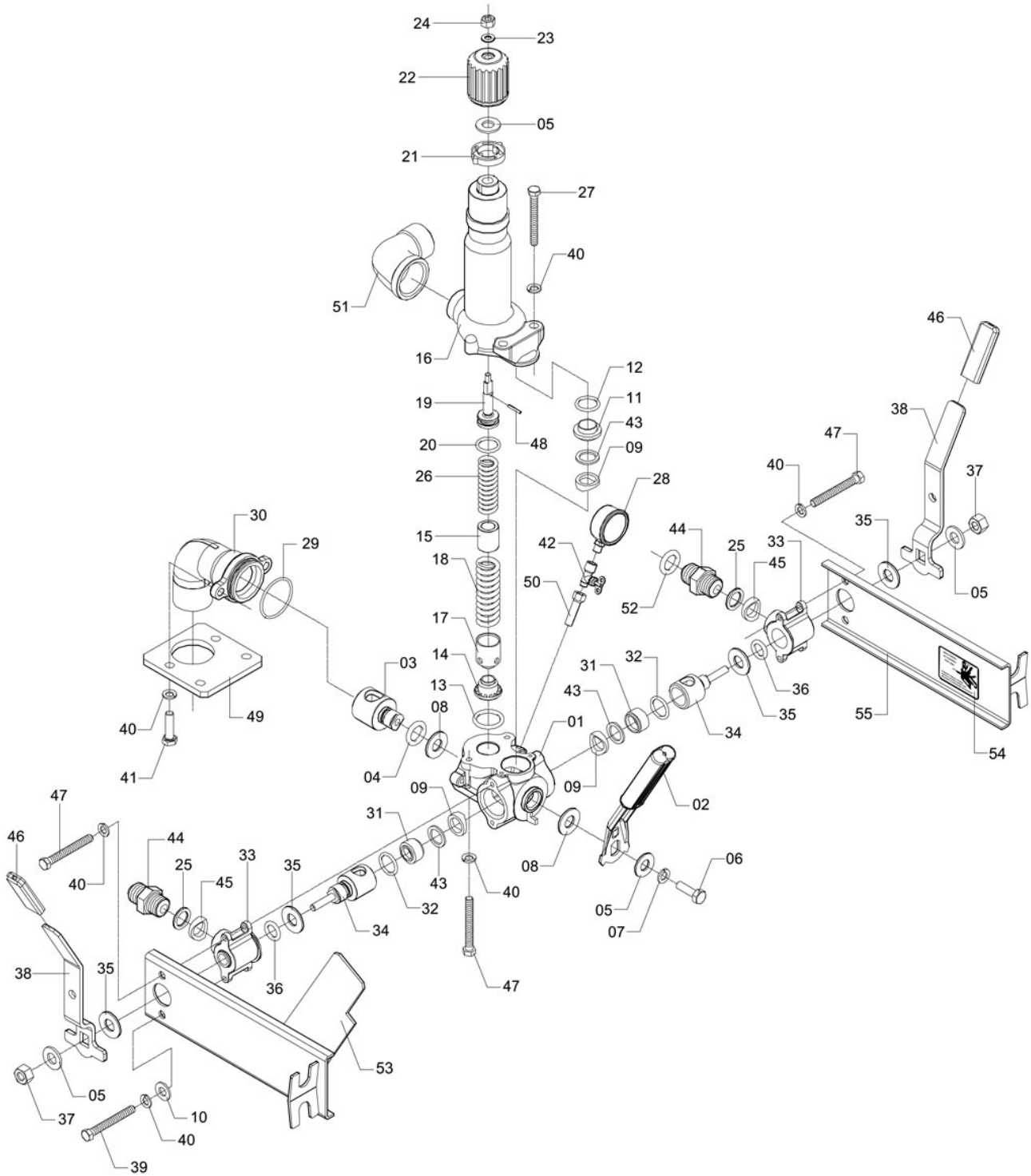
CV-459

CONTROL VAR-110/500

Continuation

Item	CODE	DESCRIPTION	Qty.	Item	CODE	DESCRIPTION	Qty.
00	630384	Control VAR-110/500	1				
01	519736	Lock washer M8	10				
02	663153	Hex. bolt 5/16" - 18 UNC x 3/4"	4				
03	912758	Hex. nut 5/16" - 18 UNC	1				
04	013433	Flat washer 4.8 x 16 x 1.6 inox	1				
05	010629	Knob	1				
06	623884	Flat washer 105 x 210 x 20	3				
07	011031	Lock	1				
08	616102	Cylinder	1				
09	117960	Adj. screw 1/2" UNF (w/ spring seat)	1				
10	011601	O-ring ORI-213	1				
11	616151	Spring 18 x 34	1				
12	616144	Spring spacer	1				
13	622712	Compression spring 25 x 90	1				
14	010728	Valve with insert	1				
15	010710	Valve seat	1				
16	011593	O-ring OR1-219	1				
17	717835	Core	1				
18	322057	O-ring ORI-114	2				
19	010645	Core seat washer	2				
20	010546	Body	1				
21	011668	O-ring OR1-122	2				
22	111203	Valve cap	1				
23	917682	Bolt 3/8" - 16 UNC x 1/2"	1				
24	831503	Hex. bolt 5/16"-18 UNC x 1.3/4"	2				
25	823435	Outlet nipple	2				
26	010991	O-ring 24.7	2				
27	010603	Valve body	1				
28	011676	O-ring OR1-111	1				
29	010769	Core seat washer 24	2				
30	206227	Core 26	1				
31	010801	Spacer 29 x 19.4	1				
32	010678	Packing seat 28	2				
33	012724	O-ring ORI-119	1				
34	010793	Packing seat spacer 29 x 12.5	1				
35	627992	Hex. head bolt 5/16" - 18 UNC x 2.1/2	2				
36	518761	Hex. nut 3/8"	1				
37	116830	Male/female elbow 1.1/4" BSP 900	1				
38	010561	Lever	1				
39	427823	Pressure gauge (glycerin-filled)	1				
40	507319	Needle valve for pressure gauge	1				
41	014423	Pressure gauge extension	1				
42	010587	Assembly lever	1				
43	428268	Elbow 90 with flange	1				
44	908566	Lock washer 3/8"	1				
45	917369	Flexible pin (heavy) 3 x 22	1				
46	107441	Support	1				
47	106948	O-ring OR1-130	1				
48	836502	Screw 5/16" - 18 UNC x 1"	2				
49	706796	O-ring OR1-114	1				
50	010827	Packing ring 29 x 22 x 3	2				
51	010751	Packing seat 22	2				

CONTROL (RELIEF/ PRESSURE REGULATOR VALVE)



CV-462

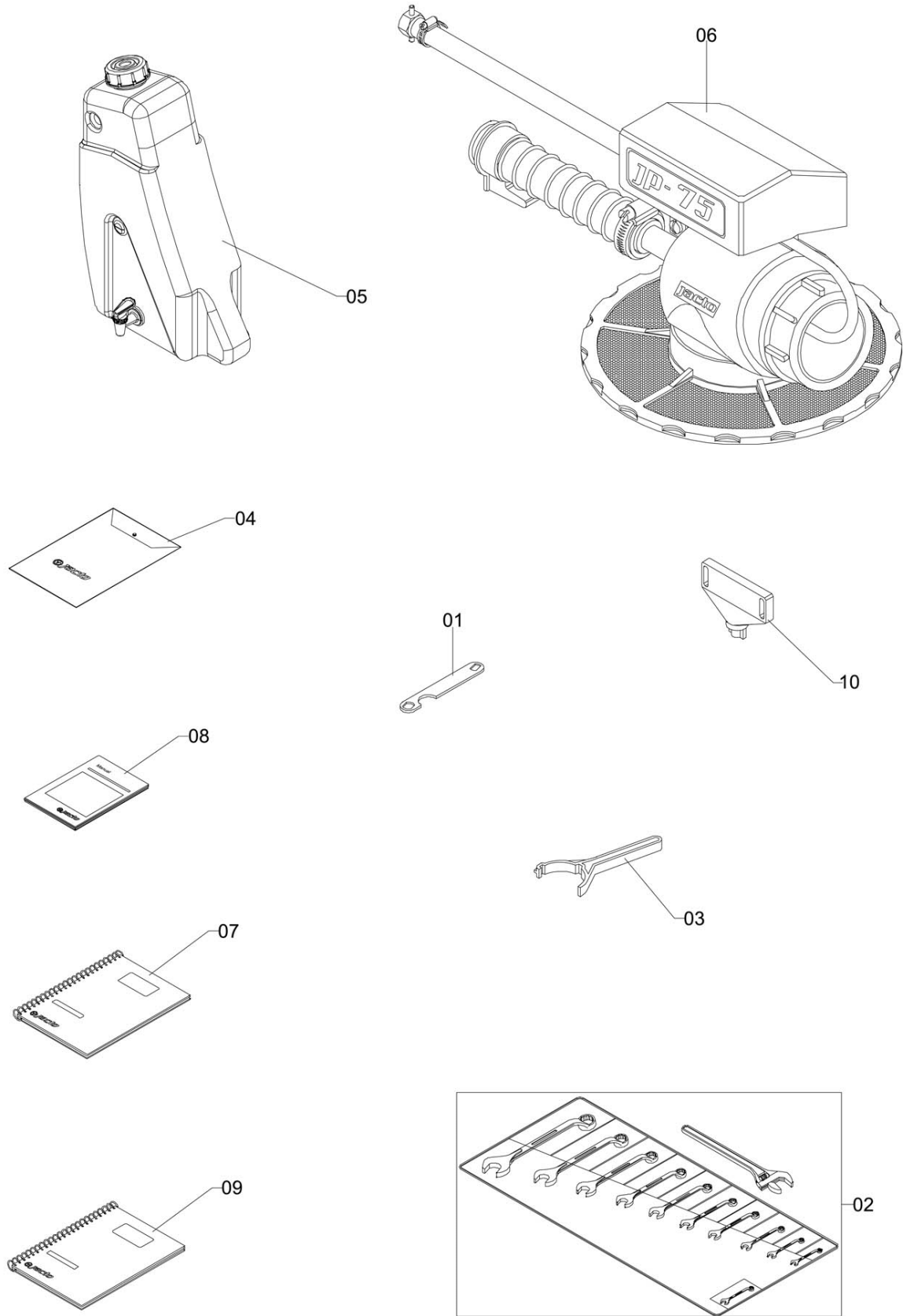
CONTROL (RELIEF/ PRESSURE REGULATOR VALVE)

Continuation

Item	CODE	DESCRIPTION	Qty.	Item	CODE	DESCRIPTION	Qty.
00	357921	Control (relief/ pressure regulator valve)	1				
01	935999	Valve body	1				
02	010587	Assembly lever	1				
03	717835	Core	1				
04	706796	O-ring OR1-114	5				
05	623884	Flat washer 105 x 210 x 20	4				
06	917682	Bolt 3/8" - 16 UNC x 1/2"	1				
07	908566	Lock washer 3/8"	1				
08	010645	Core seat washer	2				
09	010678	Packing seat 28	3				
10	431486	Spacer	2				
11	010793	Packing seat spacer 29 x 12.5	1				
12	012724	O-ring ORI-119	1				
13	011593	O-ring OR1-219	1				
14	010710	Valve seat	1				
15	616144	Spring spacer	1				
16	616102	Cylinder	1				
17	010728	Valve with insert	1				
18	622712	Compression spring 25 x 90	1				
19	117960	Adj. screw 1/2" UNF (w/ spring seat)	1				
20	011601	O-ring ORI-213	1				
21	011031	Lock	1				
22	010629	Knob	1				
23	013433	Flat washer 4.8 x 16 x 1.6 inox	1				
24	912758	Hex. nut 5/16" - 18 UNC	1				
25	010991	O-ring 24.7	2				
26	616151	Spring 18 x 34	1				
27	831503	Hex. bolt 5/16"-18 UNC x 1.3/4"	2				
28	427823	Pressure gauge (glycerin-filled)	1				
29	106948	O-ring OR1-130	1				
30	428268	Elbow 90 with flange	1				
31	010801	Spacer 29 x 19.4	2				
32	011668	O-ring OR1-122	2				
33	357947	Valve body	2				
34	357954	Core 26	2				
35	010769	Core seat washer 24	4				
36	011676	O-ring OR1-111	2				
37	810770	Hex. nut M-8 x 1.25	2				
38	357962	Lever	2				
39	729038	Bolt 5/16" x 2.3/4"	2				
40	519736	Lock washer M8	12				
41	836502	Screw 5/16" - 18 UNC x 1"	2				
42	507319	Needle valve for pressure gauge	1				
43	010827	Packing ring 29 x 22 x 3	3				
44	566802	Nipple 3/4" x 3/4" - BSP	2				
45	010751	Packing seat 22	2				
46	945964	Lever handgrip	2				
47	627992	Hex. head bolt 5/16" - 18 UNC x 2.1/2	4				
48	917369	Flexible pin (heavy) 3 x 22	1				
49	107441	Support	1				
50	014423	Pressure gauge extension	1				
51	116830	Male/female elbow 1.1/4" BSP 900	1				
52	322057	O-ring ORI-114	2				
53	991752	Support	1				
54	979583	Sticker: "Control maintenance..."	1				
55	358127	Support	1				

Controlled copy – Distribution and reproduction prohibited

ACCESSORIES BOX



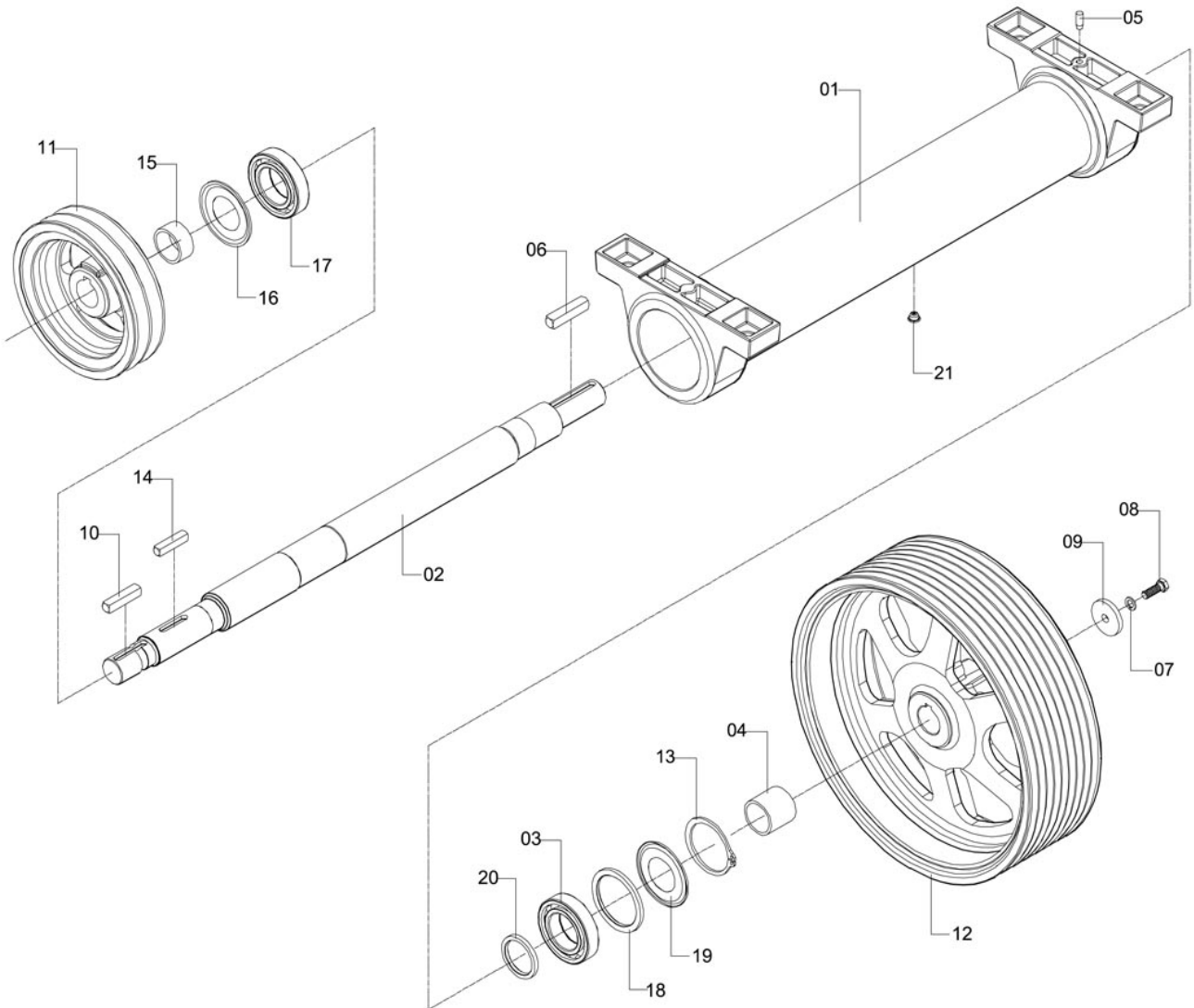
CXA-467

ACCESSORIES BOX

Continuation

Item	CODE	DESCRIPTION	Qty.	Item	CODE	DESCRIPTION	Qty.
00	078948	Accessories box	1				
01	436493	Flat fan nozzle aligner	1				
02	489211	Assembly - combination wrench + screw wrench (for export)	1				
03	703694	Key 40-45	1				
04	867127	Plastic folder	1				
05	133215	15-liter tank- left	1				
06	058452	Filler unit 75 L/min. (with 10-meter hose)	1				
06A	819896	Filler unit for 74L/min (5-meter hose)	1				
07	082933	Operator's manual " ARBUS 400 G	1				
07A	263541	Operator's manual (Arbus 400 golden - english)	1				
07B	082925	Operator's manual	1				
07C	576835	Operator's manual (Arbus 400)	1				
08	140202	Operator's manual - Chemical container rinse nozzle - Spanish	1				
08A	158576	Operator's manual-Chemical container rinse nozzle	1				
08B	136929	Instructions manual - Container rinse nozzle	1				
08C	871169	Operator's manual Chemical Container Rinse Nozzle (Russian)	1				
09	864199	Operator's manual (Nozzles guideline - Spanish)	1				
09A	697912	Jacto nozzles guide (English)	1				
09B	853093	Operator's manual - nozzles	1				
09C	871177	Operator's manual Nozzles Guide (Russian)	1				
10	1177696	Universal key	1				

DRIVE TRANSMISSION



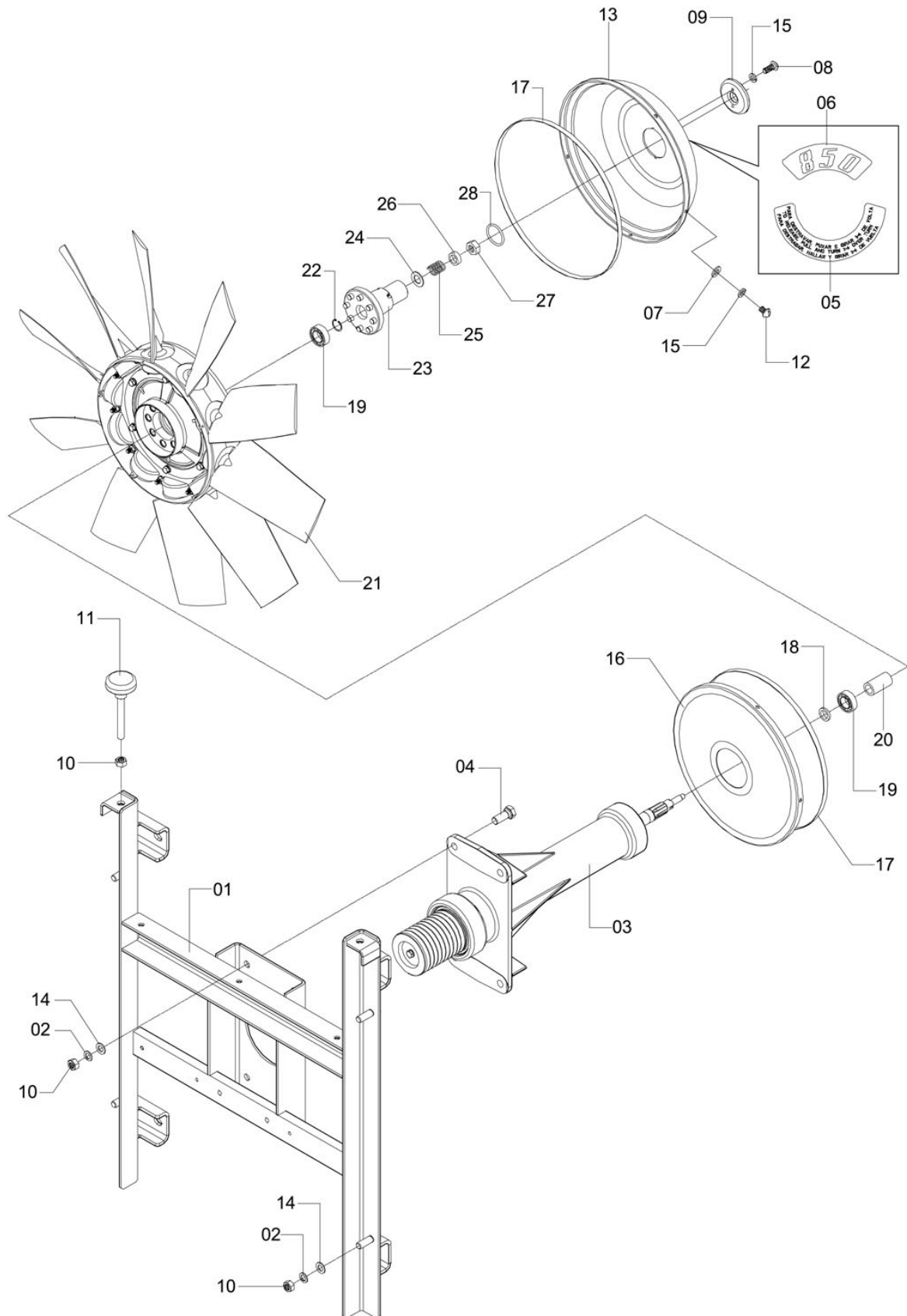
TMT-232

DRIVE TRANSMISSION

Continuation

Item	CODE	DESCRIPTION	Qty.	Item	CODE	DESCRIPTION	Qty.
00	159814	Drive transmission	1				
01	620708	Transmission pillow block	1				
02	717116	Axle body	1				
03	203737	Fixed bearing	1				
04	622621	Spacer bushing	1				
05	428292	Guide pin 6 x 16	1				
06	531673	Square key 5/16" x 58	1				
07	519736	Lock washer M8	1				
08	663153	Hex. bolt 5/16" - 18 UNC x 3/4"	1				
09	507665	Flat washer 82 x 506 x 30	1				
10	324624	Square key 7,94 (5/16") x 40	1				
11	630772	Pulley 175 - 2D	1				
12	985325	Pulley 332-9-3V	1				
13	324145	Snap ring for hole 80	1				
14	015305	Square key 5/16" x 30	1				
15	622639	Spacer ring 35.5 x 16	1				
16	622654	Packing ring	1				
17	328062	Bearing no. 6207 SKF	1				
18	622647	Spacer 4	1				
19	622662	Packing ring 6208	1				
20	714204	Seat ring 50 x 5 x 5	1				
21	430652	Bearing breather	1				

DRIVEN TRANSMISSION AND COMPLEMENTS



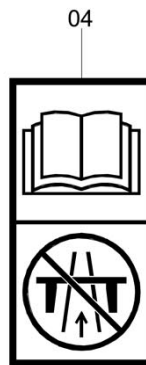
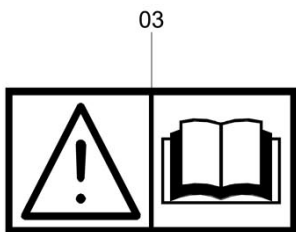
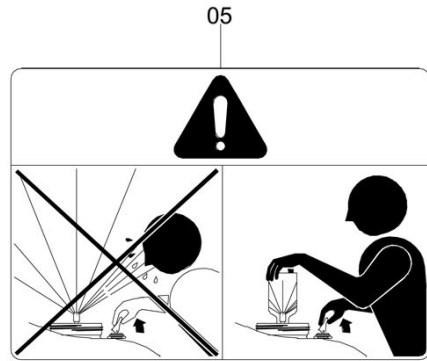
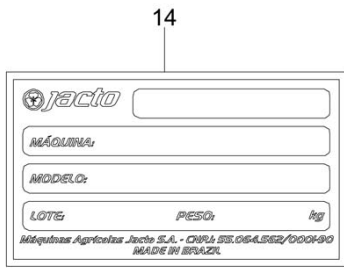
TMV-69

DRIVEN TRANSMISSION AND COMPLEMENTS

Continuation

Item	CODE	DESCRIPTION	Qty.	Item	CODE	DESCRIPTION	Qty.
00	990846	Driven transmission and complements	1				
01	990879	Deflector and transmission support	1				
02	908582	Lock washer 1/2"	8				
03	164509	Fan bearing with pulley 105	1				
04	023853	Bolt 1/2" - 1.1/2"	4				
05	018705	Sticker: "Fan lock instructions"	1				
06	039222	Sticker: "850"	1				
07	979237	Flat washer 5,30 x 10,0 x 1,0	12				
08	007179	Screw 3/16" UNC x 5/8"	2				
09	201087	Disc 70	1				
10	326280	Nut 1/2" UNC	10				
11	941948	Tightening screw 1/2" - 13 UNC	2				
12	907584	Screw 3/16" UNC x 5/16"	10				
13	935379	Hub cap	1				
14	818112	Flat washer 130 x 240 x 30	8				
15	520676	Lock washer M5	12				
16	848911	Fan guard cap	1				
17	018655	Packing 1015	2				
18	518118	Spacer ring	1				
19	202549	Fixed bearing	2				
20	232686	Spacer 51.4	1				
21	348995	Fan assembly	1				
22	203067	Snap ring for shaft 35	1				
23	177055	Grooved hub with hitch	1				
24	881243	Flat washer 170 x 300 x 19	1				
25	204537	Compression spring	1				
26	425892	Spring seat ring	1				
27	108787	Nut DODI-LOC 1/2" - 13 UNC	1				
28	939223	Packing ring	1				

STICKERS: (ARBUS 400)



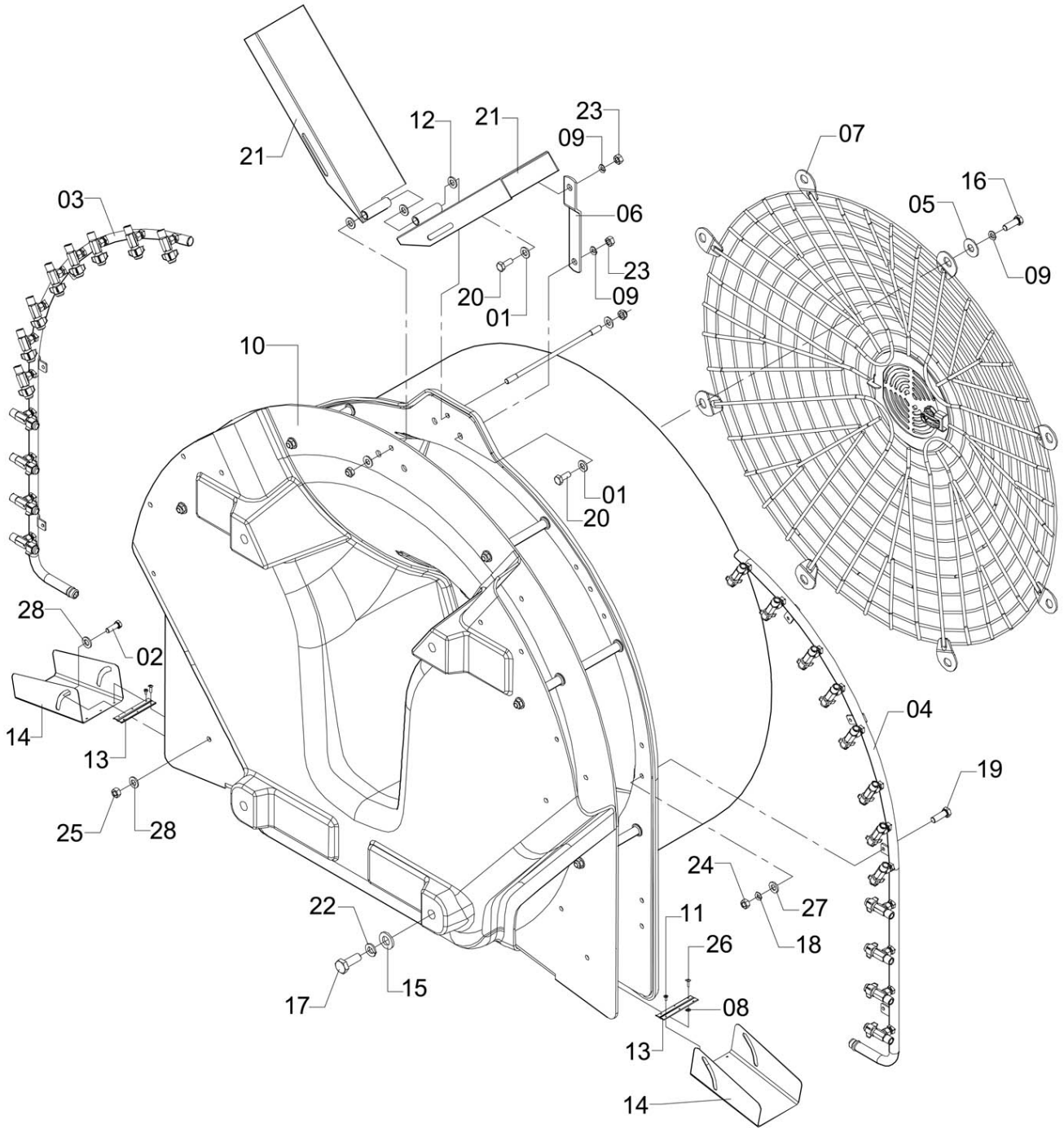
ADS-199

STICKERS: (ARBUS 400)

Continuation

Item	CODE	DESCRIPTION	Qty.	Item	CODE	DESCRIPTION	Qty.
00	576462	Stickers: (Arbus 400)	1				
01	013169	Sticker - "FINAL TEST OK"	1				
02	379248	Sticker: "Read Operator's Manual - Vertical"	1				
03	379230	Sticker: "Read Operator's Manual - Horizontal"	3				
04	379222	Sticker: "This Machine Is Not Allowed In Highways"	1				
05	169128	Sticker: "Chemical container rinse nozzle"	1				
06	379214	Sticker: "Maximum Speed 30 KM/H"	1				
07	379131	Sticker: "Obligatory Use of Protective Clothing"	1				
08	379123	Sticker: "Obligatory Use of Hearing Protection"	1				
09	379008	Sticker: "Danger - PTO Shaft"	1				
10	379040	Sticker: (Attention - Keep at a Distance)	1				
11	379057	Sticker: "Keep at a Distance - Fan"	1				
12	379065	Sticker: "Keep all shields in place"	1				
13	379115	Sticker: "Obligatory Use of Respirator"	1				
14	983932	Identification plate	1				
15	379073	Sticker: "Tank - Water for Washing Hands"	1				

APPLICATION ASSEMBLY FOR 2P DEFLECTOR



CA-236

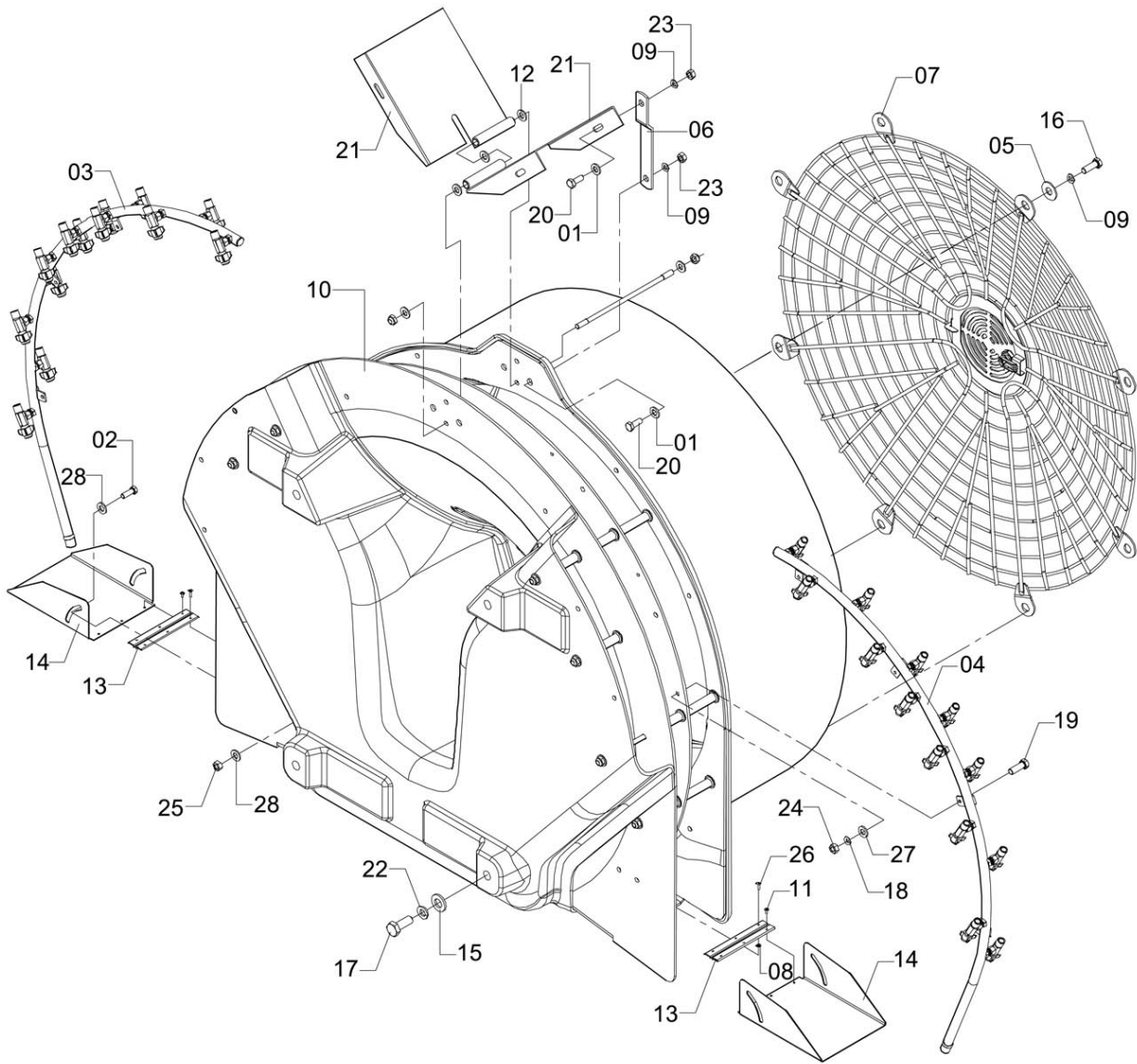
APPLICATION ASSEMBLY FOR 2P DEFLECTOR

Continuation

Item	CODE	DESCRIPTION	Qty.	Item	CODE	DESCRIPTION	Qty.
00	990861	Application assembly for 2P Deflector	1				
01	013433	Flat washer 4.8 x 16 x 1.6 inox	4				
02	326587	Bolt 3/8" - 16 UNC x 1" (brass)	2				
03	388686	Right branch for 12 nozzles	1				
04	388694	Left branch for 12 nozzles	1				
05	420281	Flat washer 82 x 350 x 30	8				
06	427971	Support body	2				
07	430942	Guard screen - assembly	1				
09	519736	Lock washer M8	12				
10	127613	Deflector - 2P	1				
11	519769	Rivet Pop - 4.0 x 10.2	6				
12	623884	Flat washer 105 x 210 x 20	3				
13	655506	Vane hinge	2				
14	849125	Lower vane	2				
15	818112	Flat washer 130 x 240 x 30	4				
16	820282	Bolt 5/6" - 18 UNC x 1.3/4"	8				
17	829432	Bolt M12 x 35 x 1.75	4				
18	910117	Lock washer 1/4"	8				
19	819631	Bolt 1/4" - 20 UNC x 1"	8				
20	912667	Bolt 5/16" x 18 UNC x 7/8	2				
21	728451	Adjustable flap	2				
22	209163	Lock washer M12	4				
23	107102	Hex. nut 5/16" x - 18 UNC	4				
24	819292	Hex. nut 1/4" - 20 UNC (stainless steel)	8				
25	327445	Hex. nut 3/8" - 16 UNC	2				
26	519785	Rivbet Pop	6				
27	712554	Flat washer 70 x 180 x 12,4	8				
28	109678	Flat washer 105 x 254 x 12.4	4				

Controlled copy – Distribution and reproduction prohibited

APPLICATION ASSEMBLY (BRANCH 13 VALVE / 26 NOZZLES)



CA-235

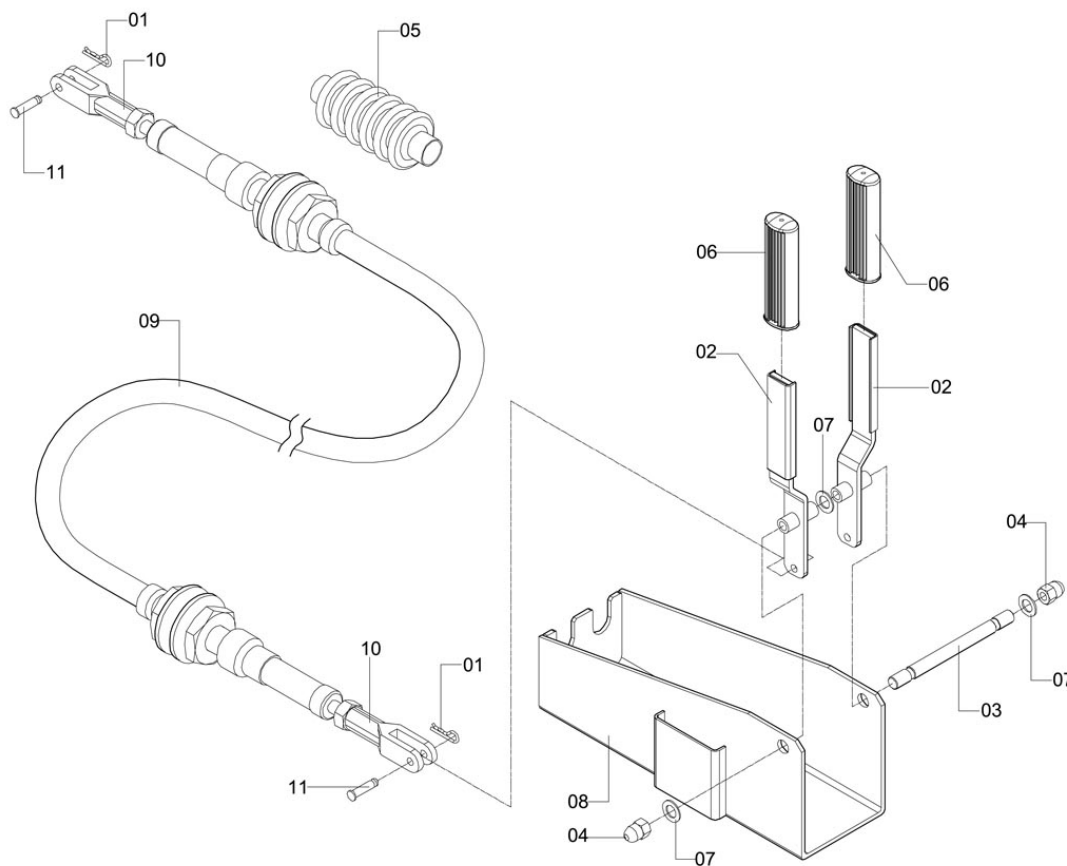
APPLICATION ASSEMBLY (BRANCH 13 VALVE / 26 NOZZLES)

Continuation

Item	CODE	DESCRIPTION	Qty.	Item	CODE	DESCRIPTION	Qty.
00	373662	Application Assembly (Branch 13 valve / 26 nozzles)	1				
01	013433	Flat washer 4.8 x 16 x 1.6 inox	4				
02	326587	Bolt 3/8" - 16 UNC x 1" (brass)	2				
03	388736	Right branch for 13 nozzles	1				
04	388744	Left branch for 13 nozzles	1				
05	420281	Flat washer 82 x 350 x 30	8				
06	427971	Support body	2				
07	430942	Guard screen - assembly	1				
09	519736	Lock washer M8	12				
10	016972	Deflector- 3P	1				
11	519769	Rivet Pop - 4.0 x 10.2	6				
12	623884	Flat washer 105 x 210 x 20	3				
13	655506	Vane hinge	2				
14	734640	Deflector vane	2				
15	818112	Flat washer 130 x 240 x 30	4				
16	820282	Bolt 5/6" - 18 UNC x 1.3/4"	8				
17	829432	Bolt M12 x 35 x 1.75	4				
18	910117	Lock washer 1/4"	8				
19	910513	Bolt 1/4" - 20 UNC x 3/4"	8				
20	912667	Bolt 5/16" x 18 UNC x 7/8	2				
21	204560	Adjustable flap	2				
22	209163	Lock washer M12	4				
23	107102	Hex. nut 5/16" x - 18 UNC	4				
24	819292	Hex. nut 1/4" - 20 UNC (stainless steel)	8				
25	327445	Hex. nut 3/8" - 16 UNC	2				
26	519785	Rivbet Pop	6				
27	712554	Flat washer 70 x 180 x 12,4	8				
28	109678	Flat washer 105 x 254 x 12.4	4				

Controlled copy – Distribution and reproduction prohibited

ACTUATOR - ASSEMBLY

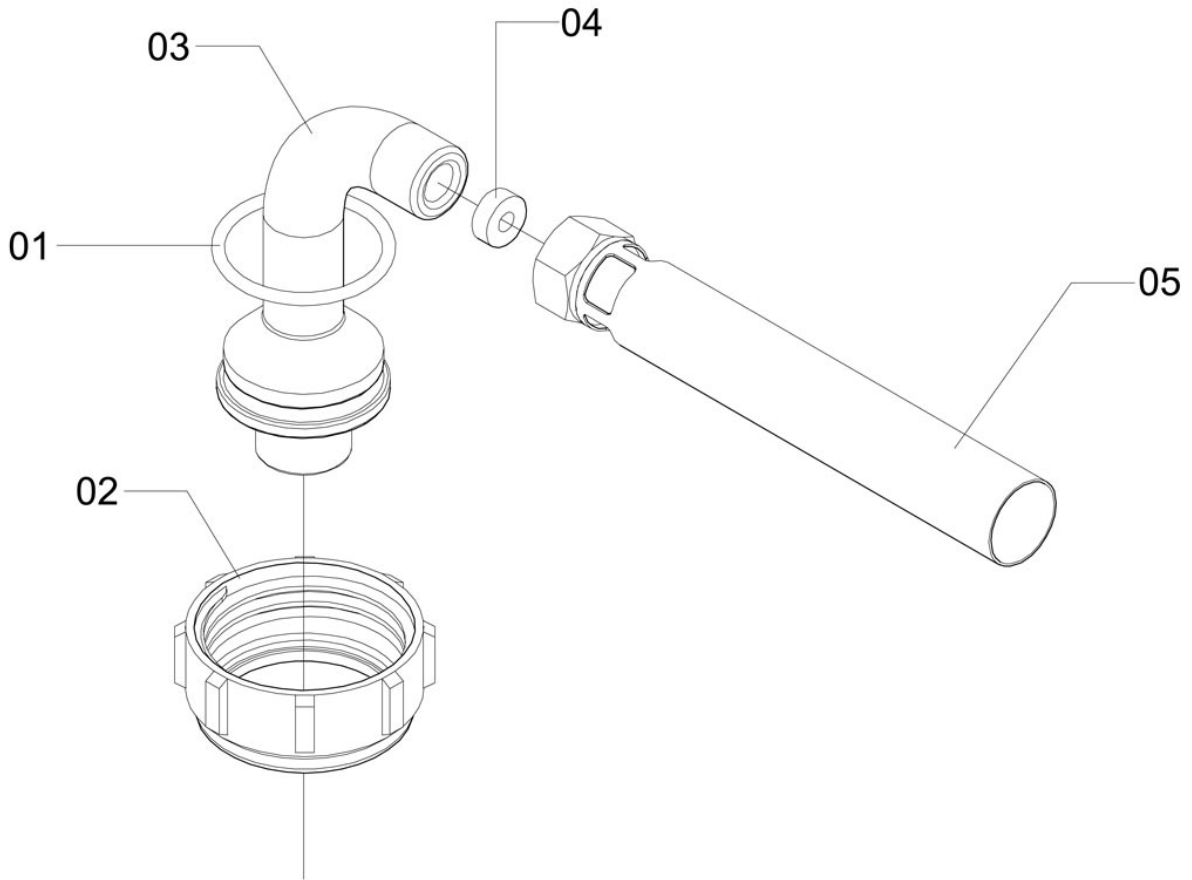


CV-463

Item	CODE	DESCRIPTION	Qty.	Item	CODE	DESCRIPTION	Qty.
00	159830	Actuator - assembly	1				
01	942904	Lock cotter pin 2.1 x 84.5	4				
02	356741	Lever	2				
03	947762	Stud bolt M8 x 98 x 1.25	1				
04	945832	Box nut M8 x 1,0	2				
05	058164	Bellows protector	2				
06	002683	Handrip	2				
07	013433	Flat washer 4.8 x 16 x 1.6 inox	3				
08	431700	Lever support	1				
09	991414	Control flexible cable	2				
10	458323	Coupling end 53.5	4				
11	431510	Joint pin	4				

Controlled copy – Distribution and reproduction prohibited

HYDRAULIC AGITATOR NO. 2

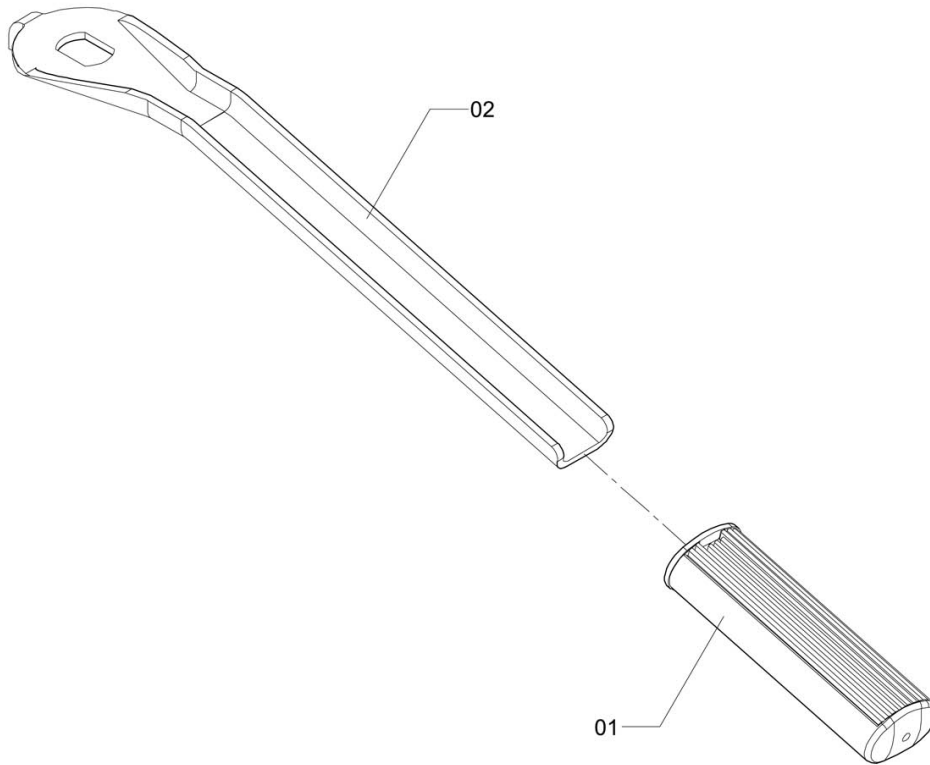


MM-3

Item	CODE	DESCRIPTION	Qty.	Item	CODE	DESCRIPTION	Qty.
00	628693	Hydraulic agitator no. 2	1				
01	429118	Packing ring	1				
02	005900	Coupling nut	1				
03	429001	Hydraulic agitator body	1				
04	628685	Dosage cell 7.55	1				
05	429076	Duct	1				

Controlled copy – Distribution and reproduction prohibited

LEVER

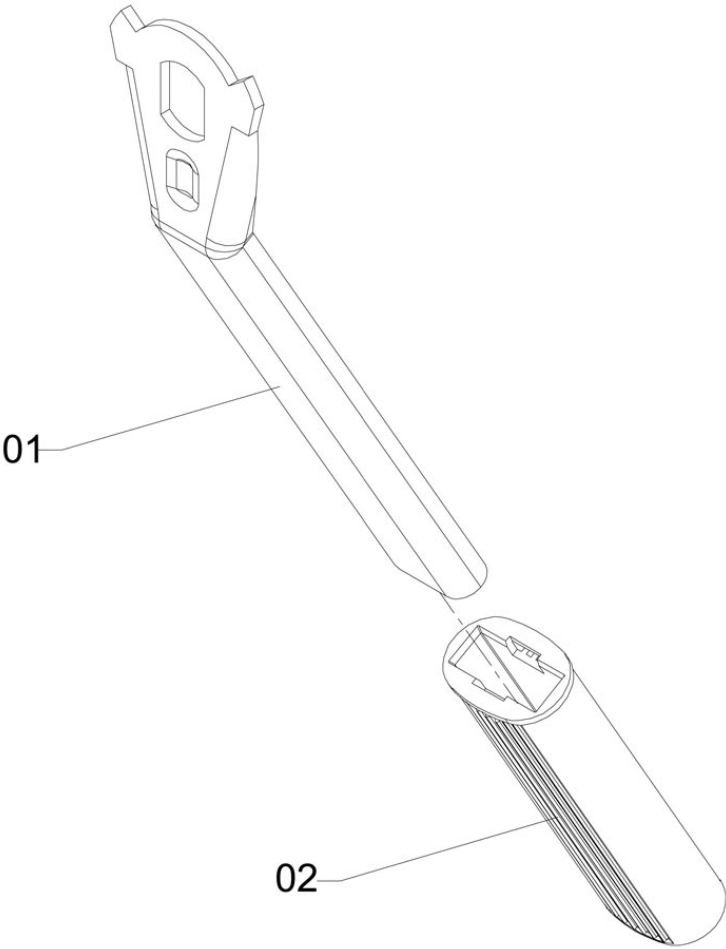


CV-551

Item	CODE	DESCRIPTION	Qty.
00	010561	Lever	1
01	002683	Handrip	1
02	530865	Lever body	1

Item	CODE	DESCRIPTION	Qty.

ASSEMBLY LEVER

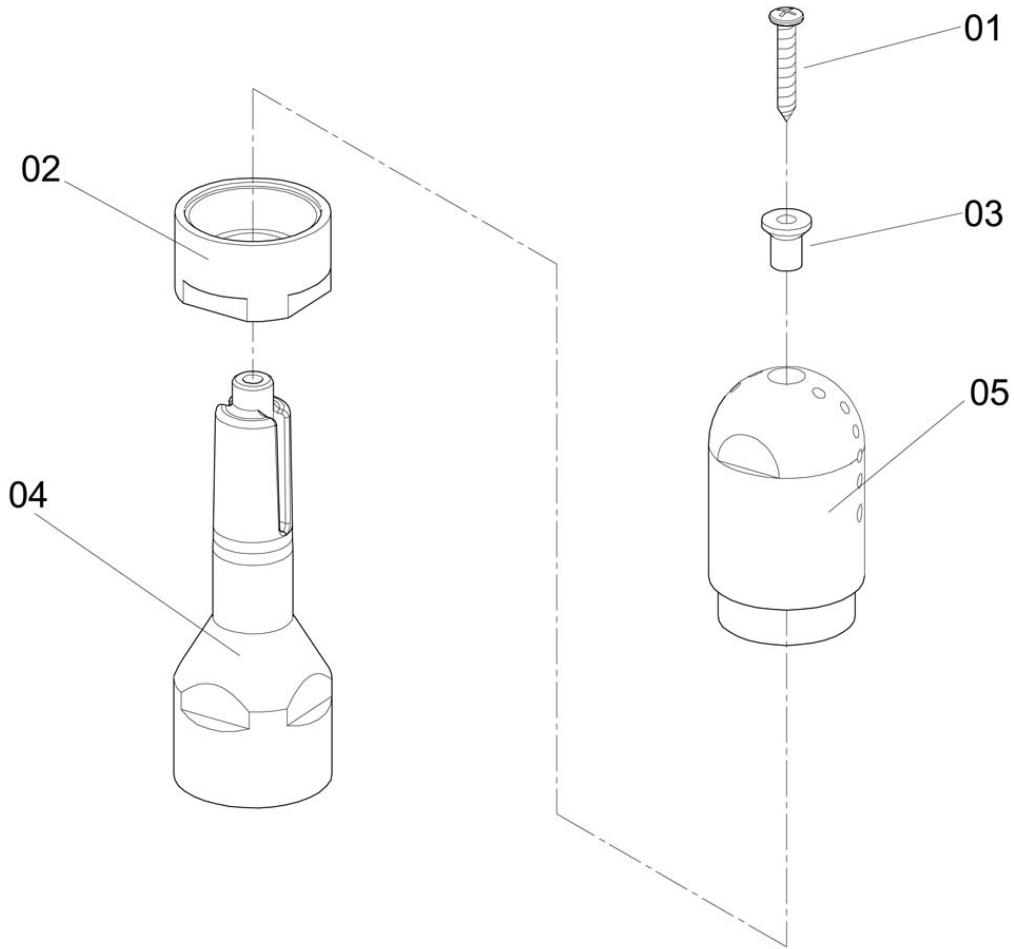


CV-516

Item	CODE	DESCRIPTION	Qty.
00	010587	Assembly lever	1
01	128678	Lever body	1
02	002683	Handrip	1

Item	CODE	DESCRIPTION	Qty.

CHEMICAL CONTAINER RINSE NOZZLE

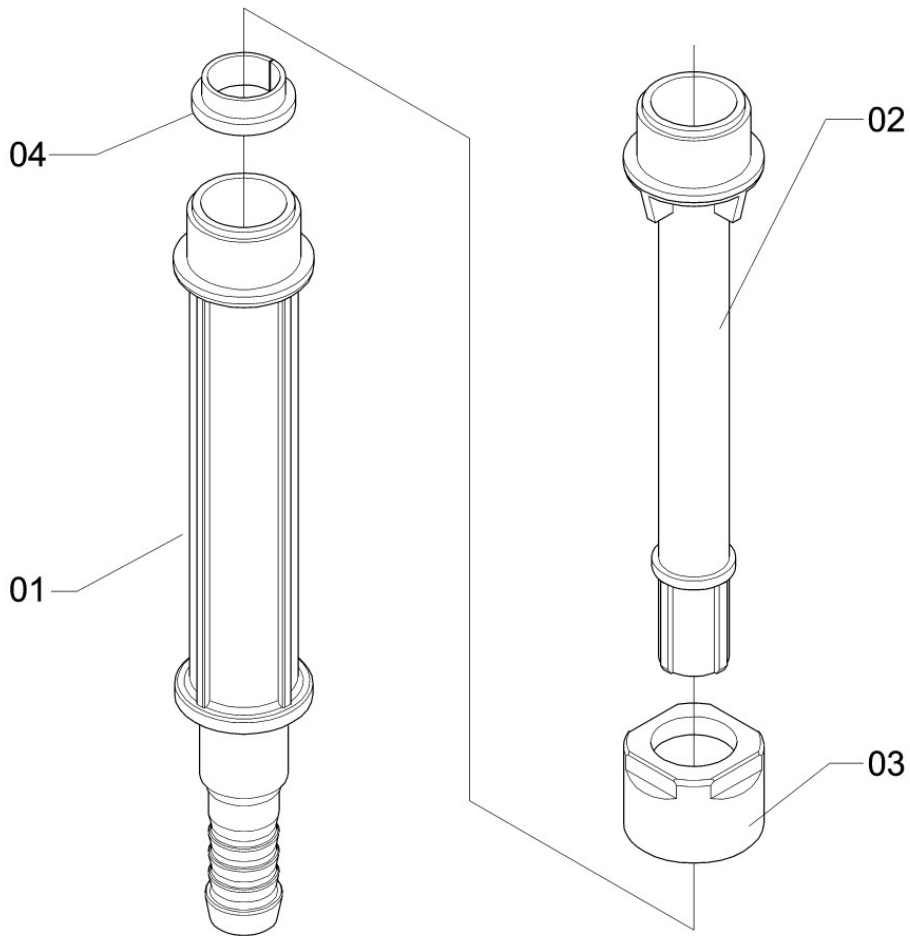


KIT-75

Item	CODE	DESCRIPTION	Qty.
00	071944	Chemical container rinse nozzle	1
01	483628	Bolt 2.9 x 22	1
02	059055	Nozzle nut	1
03	061119	Bushing	1
04	058909	Nozzle core	1
05	060426	Nozzle body	1

Item	CODE	DESCRIPTION	Qty.

CHEMICAL CONTAINER RINSE NOZZLE ROD

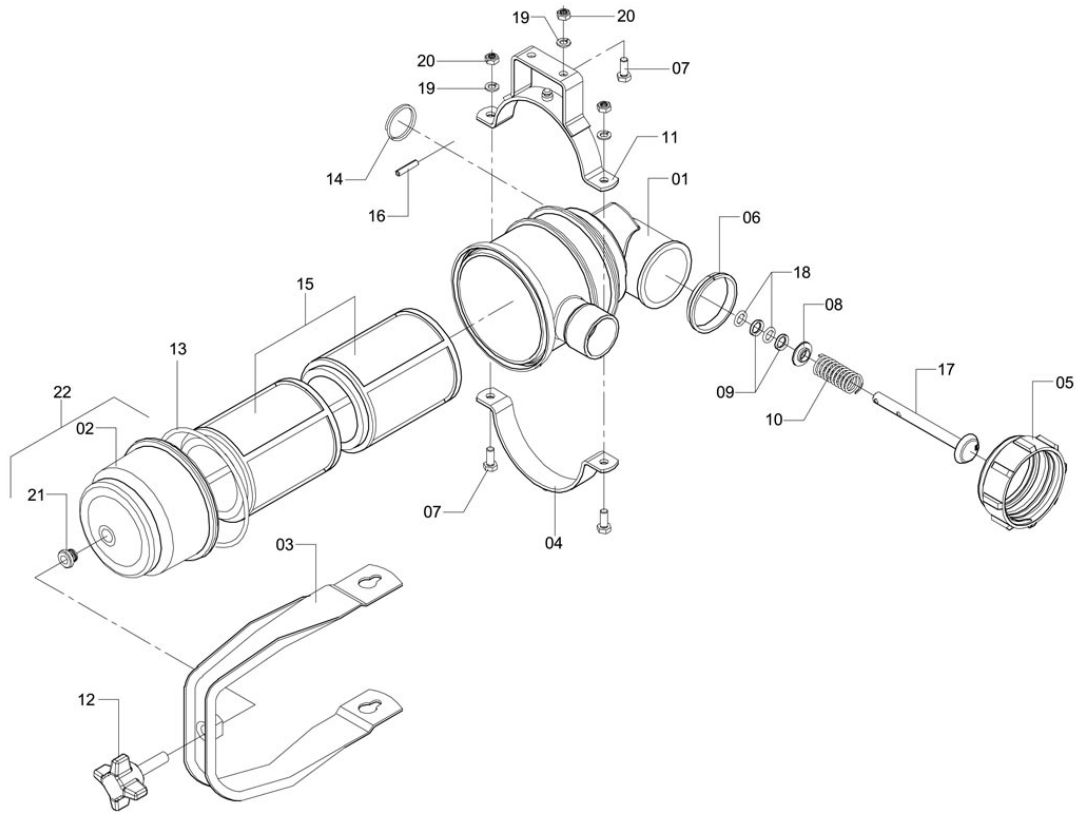


KIT-76

Item	CODE	DESCRIPTION	Qty.
00	088237	Chemical container rinse nozzle rod	1
01	058834	Nozzle rod	1
02	083907	Rod extension	1
03	087882	Extension nut	1
04	134221	Lock ring	1

Item	CODE	DESCRIPTION	Qty.

100-LITER SUCTION FILTER WITH VALVE

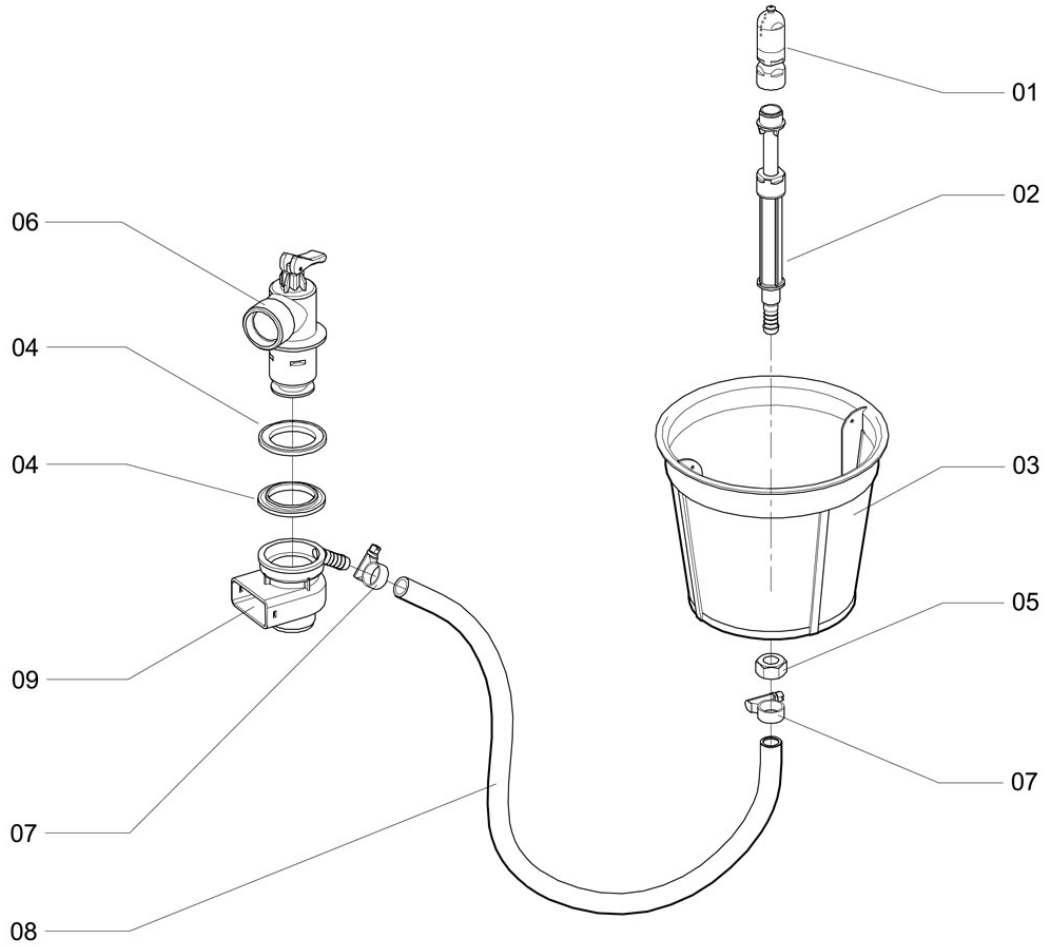


F-66

Item	CODE	DESCRIPTION	Qty.	Item	CODE	DESCRIPTION	Qty.
00	425959	100-liter suction Filter with Valve	1				
01	005785	Filter body	1				
02	006007	Cap FVS 100	1				
03	005827	Filter handle	1				
04	005850	Half-strap	1				
05	005900	Coupling nut filter	1				
06	005918	Locking ring	1				
07	810697	Bolt M6 x 1 x 20	4				
08	005967	Spring seat	1				
09	005975	Spacer washer	2				
10	006148	Compression spring	1				
11	010967	Half-strap with support	1				
12	011734	Bolt with knob	1				
13	012138	O-ring ORI - 241	1				
14	012146	Ring 40	1				
15	425926	Double filtering element	1				
16	105288	Flexible pin 4 x 20 (heavy)	1				
17	110817	Valve	1				
18	416669	O-ring OR1-110	2				
19	521666	Lock washer M6	4				
20	730309	Hex. nut M6 x 1.00 - Steel	4				
21	006015	Valve seat	1				
22	005793	Filter cover	1				

Controlled copy – Distribution and reproduction prohibited

CONTAINER RINSE NOZZLE NR 8

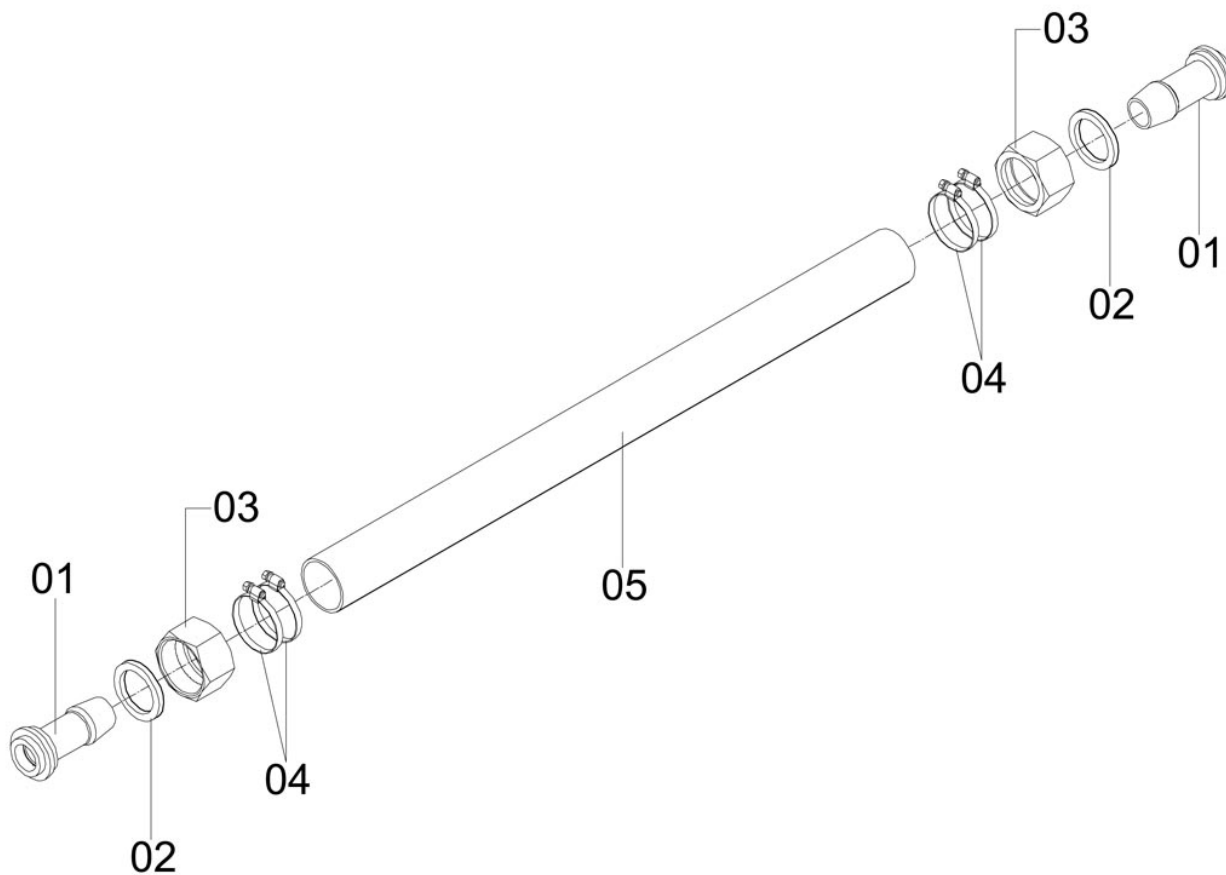


KIT-166

Item	CODE	DESCRIPTION	Qty.	Item	CODE	DESCRIPTION	Qty.
00	136648	Container rinse nozzle NR 8	1				
01	071944	Chemical container rinse nozzle	1				
02	088237	Chemical container rinse nozzle rod	1				
03	061788	Strainer 190-2T	1				
04	088245	Packing ring	2				
05	938498	Hex. nut M16 x 2.00	1				
06	136879	Valve - chemical container rinse nozzle	1				
07	107664	Clamp D14-22 - stainless steel	2				
08	071886	Hose 12.7 (1/2") x 600	1				
09	054411	Valve fastener	1				

Controlled copy – Distribution and reproduction prohibited

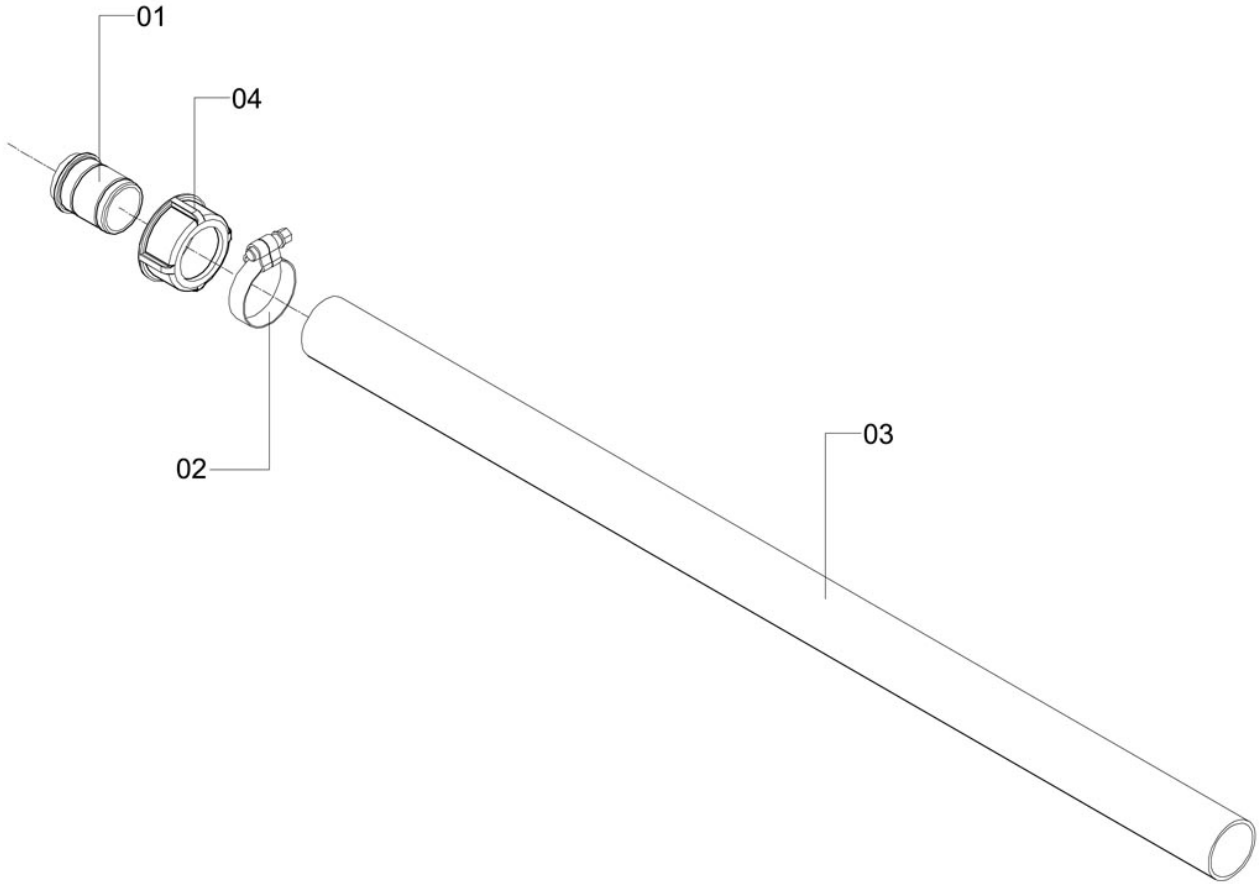
HOSE - PUMP / CONTROL



CD-779

Item	CODE	DESCRIPTION	Qty.	Item	CODE	DESCRIPTION	Qty.
00	057976	Hose - Pump / Control	1				
01	118539	Hose fitting 3/4"	2				
02	402412	Lock washer 31 x 22.5 x 22.5/3.0	2				
03	405753	Hex. nut 1" - 11 BSP	2				
04	423814	Clamp D22-32 - stainless steel	4				
05	946426	Hose 3/4" x 560	1				

HOSE - PUMP / FILTER

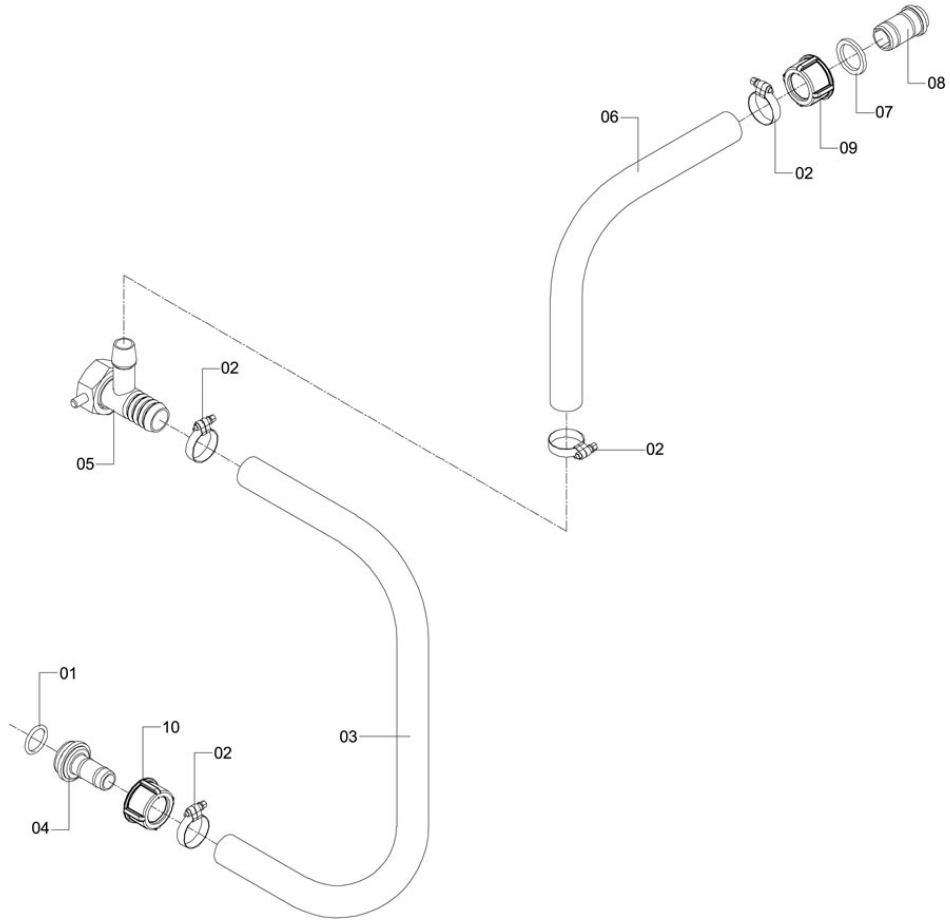


CD-780

Item	CODE	DESCRIPTION	Qty.
00	138156	Hose - Pump / Filter	1
01	208777	Hose fitting 1" x 33	1
02	423814	Clamp D22-32 - stainless steel	1
03	221556	Hose 1" x 620	1
04	005884	Nut 1.1/4" BSP	1

Item	CODE	DESCRIPTION	Qty.

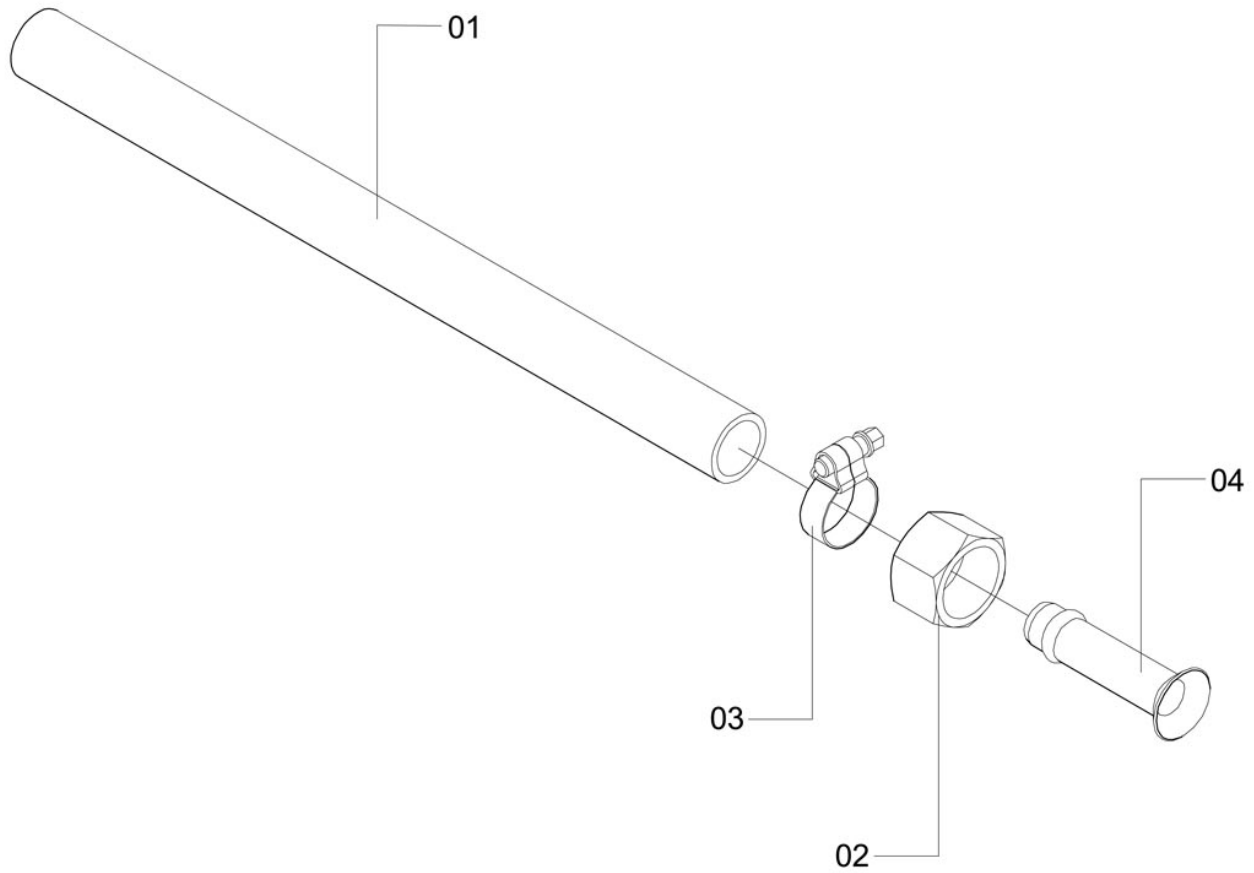
RETURN HOSE 1 X 1350



CD-778

Item	CODE	DESCRIPTION	Qty.	Item	CODE	DESCRIPTION	Qty.
00	138123	Return hose 1 x 1350	1				
01	011593	O-ring OR1-219	1				
02	423814	Clamp D22-32 - stainless steel	4				
03	628669	Hose 1" x 350	1				
04	091041	Fitting for hose 3/4" with flange 33	1				
05	135830	Hose fitting 1" x 3/4" with nut	1				
06	149484	Hose 3/4" x 380	1				
07	402412	Lock washer 31 x 22.5 x 22.5/3.0	1				
08	404434	Hose fitting	1				
09	511733	Round nut 1" BSP (40-45)	1				
10	005884	Nut 1.1/4" BSP	1				

HOSE - CONTROL / NOZZLE BRANCH

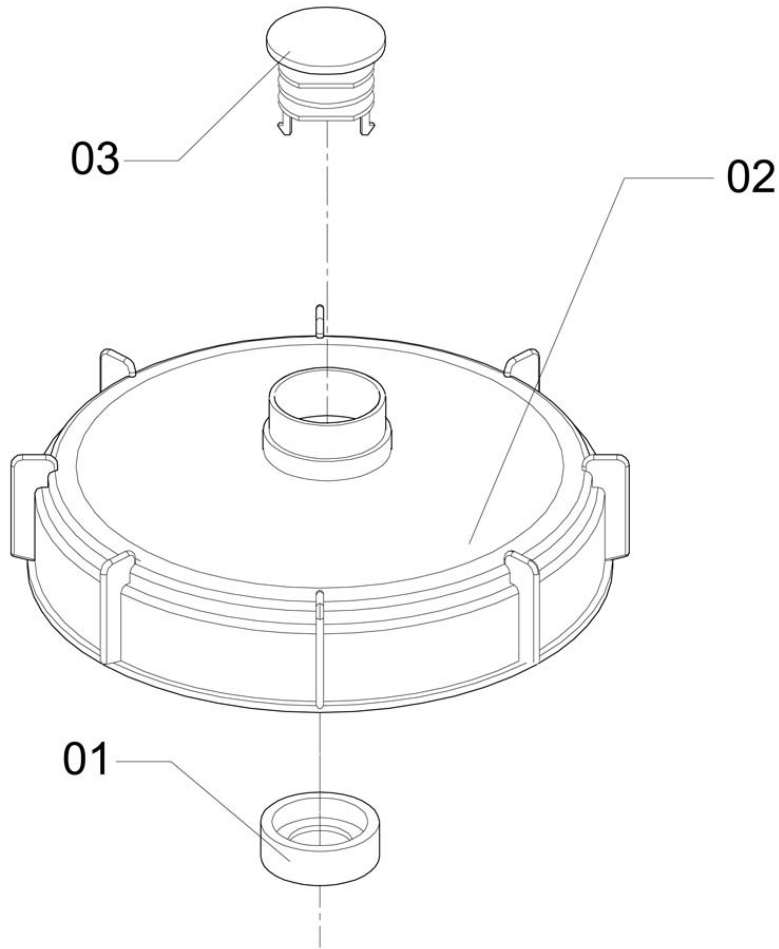


CD-742

Item	CODE	DESCRIPTION	Qty.	Item	CODE	DESCRIPTION	Qty.
00	159764	Hose - Control / Nozzle branch	1				
01	814459	Hose 1/2" x 1250	1				
02	010686	Nut 3/4" BSP-14 F.P.P	1				
03	107664	Clamp D14-22 - stainless steel	1				
04	010983	Fitting 1/2" with flange	1				

Controlled copy – Distribution and reproduction prohibited

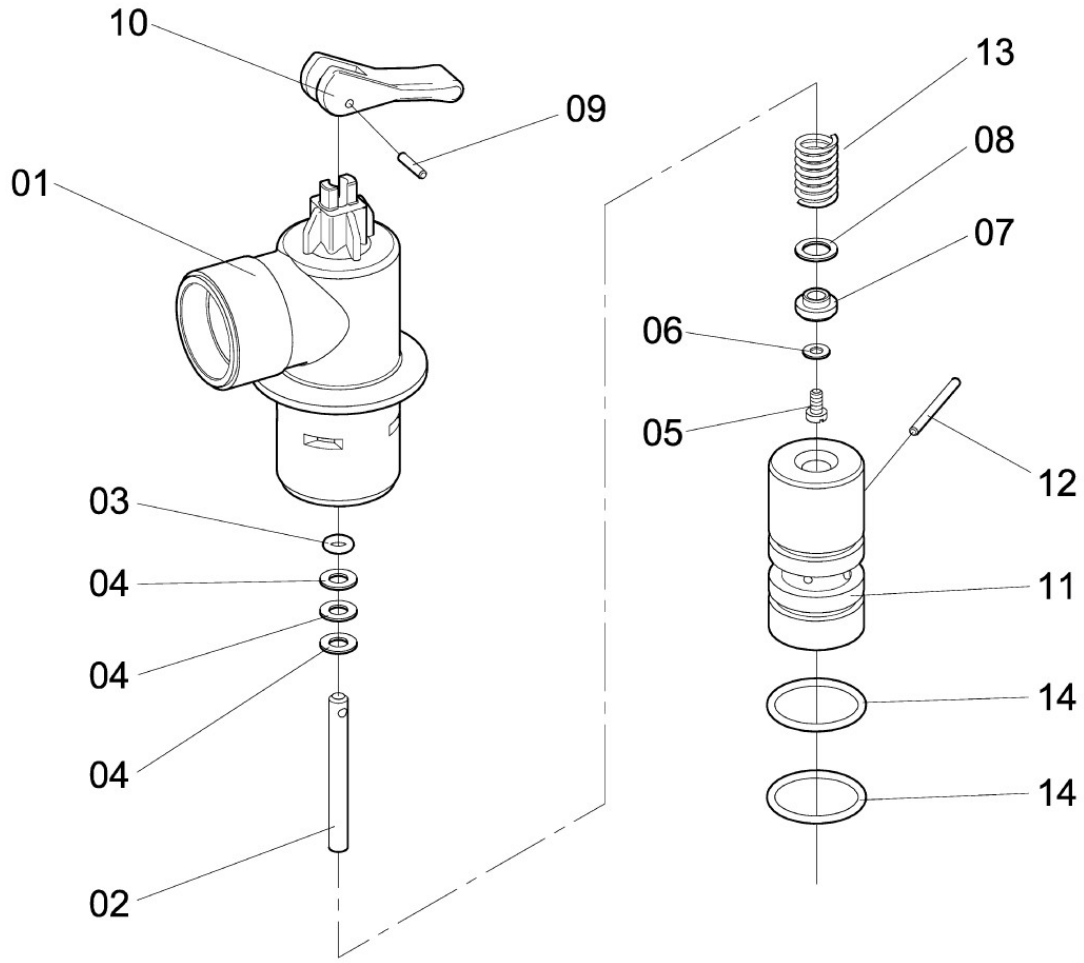
LID WITH BREATHER



D-101

Item	CODE	DESCRIPTION	Qty.	Item	CODE	DESCRIPTION	Qty.
00	037374	Lid with breather	1				
01	088419	Labyrinth lock	1				
02	233965	Spray tank lid	1				
03	088427	Labyrinth	1				

VALVE - CHEMICAL CONTAINER RINSE NOZZLE

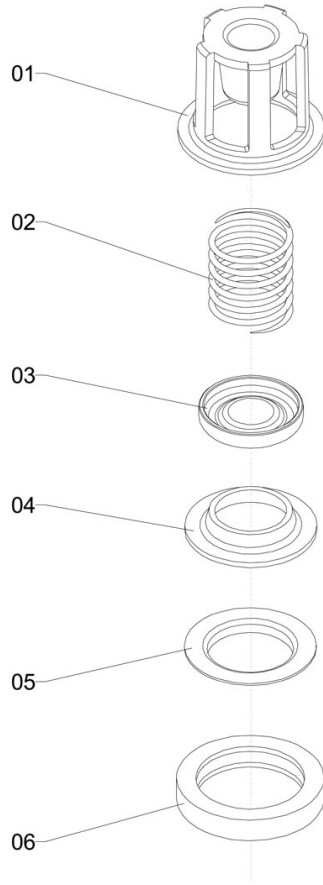


CV-108

Item	CODE	DESCRIPTION	Qty.	Item	CODE	DESCRIPTION	Qty.
00	136879	Valve - chemical container rinse nozzle	1				
01	054403	Valve body	1				
02	049841	Spring guide pin	1				
03	050237	O-ring OR2-108	1				
04	050195	Flat washer 64 x 125 x 95 stainless steel	3				
05	050211	Screw M4 x 8	1				
06	050187	Flat washer 43 x 90 x 8	1				
07	048199	Seal	1				
08	050203	Flat washer 94 x 142 x 95	1				
09	049858	Lever pin	1				
10	054445	Rinse nozzle lever	1				
11	136853	Valve core	1				
12	136861	Lock pin	1				
13	044057	Compression spring 12.7	1				
14	011668	O-ring OR1-122	2				

Controlled copy – Distribution and reproduction prohibited

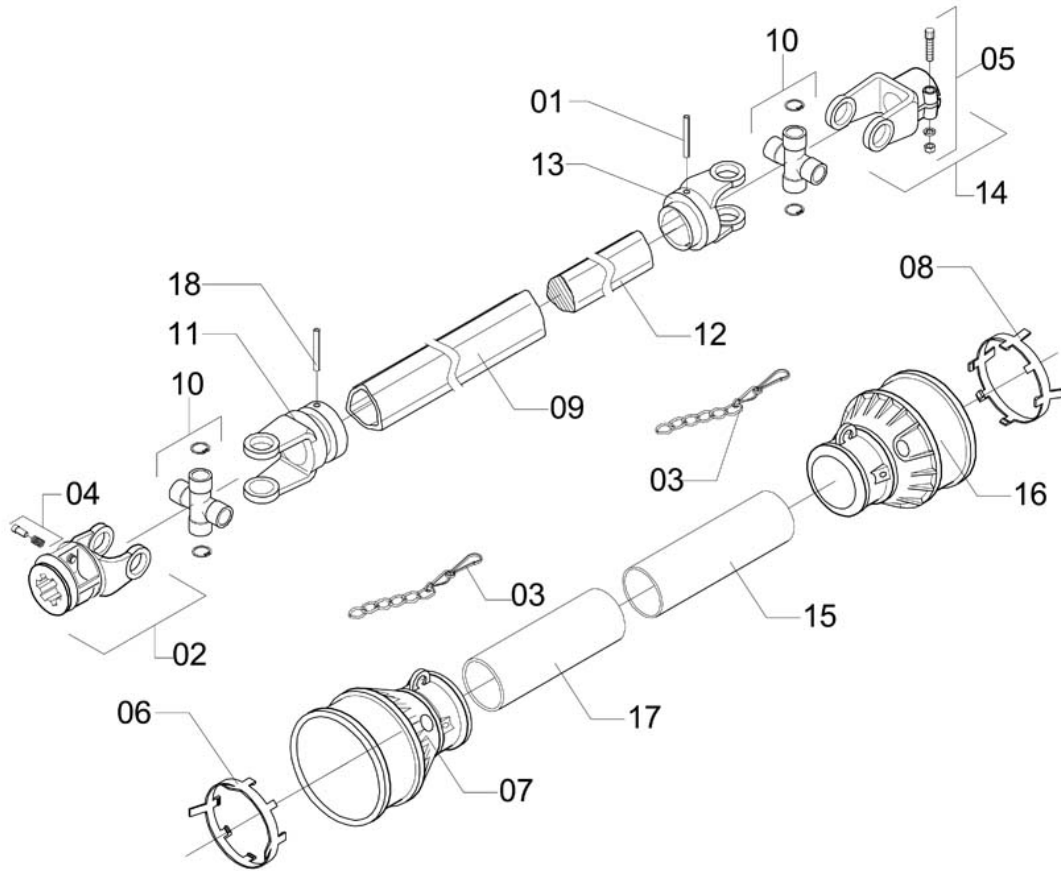
PUMP VALVE



B-137

Item	CODE	DESCRIPTION	Qty.	Item	CODE	DESCRIPTION	Qty.
00	261404	Pump valve	1				
01	073809	Gaiola	1				
02	088070	Compression spring 19.7 z LO= 23.1	1				
03	088187	Disc 21.9/22	1				
04	407296	Valve seat	1				
05	508317	Guide ring - pump valve	1				
06	508333	Valve packing	1				

CONVENTIONAL PTO SHAFT 510 104 - Z= 6 X 30

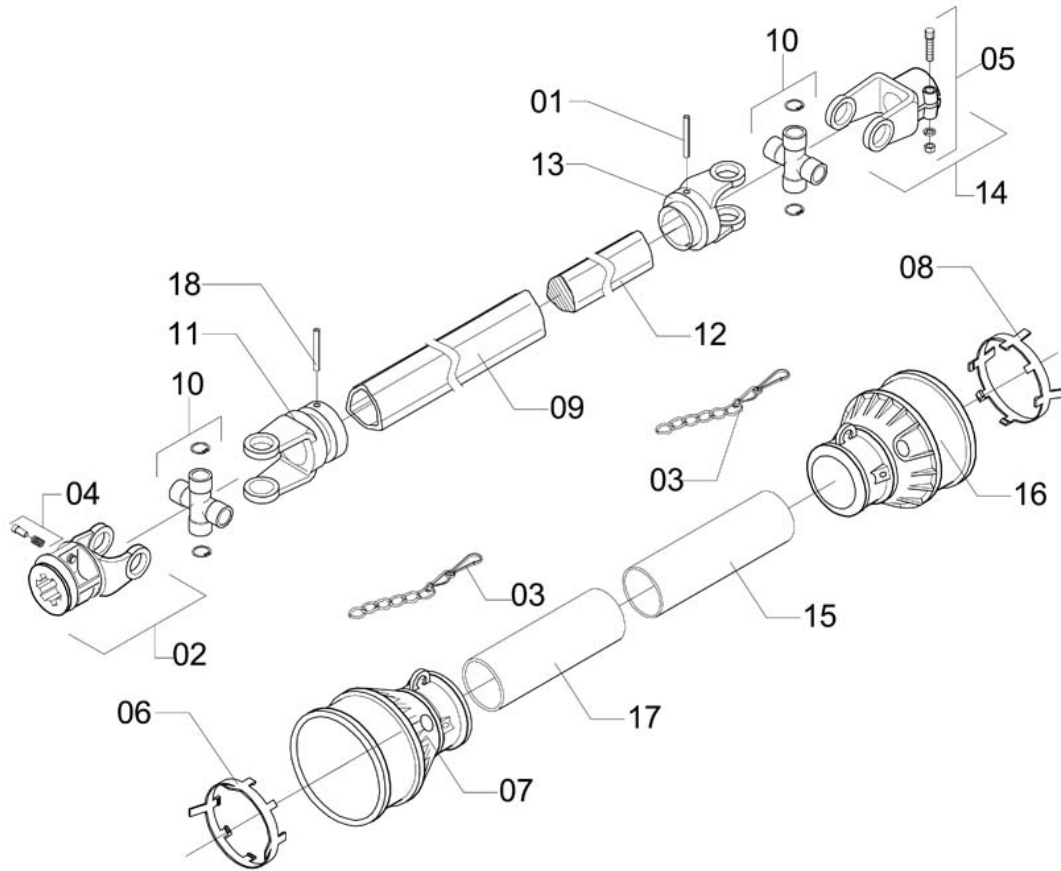


CN-30

Item	CODE	DESCRIPTION	Qty.	Item	CODE	DESCRIPTION	Qty.
00	049170	Conventional PTO shaft 510 104 - Z= 6 x 30	1				
01	207449	Flexible pin 8 x 55	1				
02	303594	Coupling end with lock - tractor end (1.3/8"Z=6)	1				
03	457127	Chain	2				
04	457176	Lock with spring	1				
05	457192	Bolt and nut	1				
06	572289	Shield lock	1				
07	572297	Cross shield (PTO end)	1				
08	572339	Shield lock	1				
09	626424	Female tube 670	1				
10	724575	Cross assembly	2				
11	724583	Inner coupling end (tractor end)	1				
12	626432	Male tube 670	1				
13	724625	Inner coupling end -(sprayer end)	1				
14	1163229	External coupling end - implement side	1				
15	626457	Guard - male tube 617	1				
16	724682	Cross shield (sprayer end)	1				
17	626440	Guard - female tube 617	1				
18	910224	Flexible pin 8 x 60	1				

Controlled copy – Distribution and reproduction prohibited

CONVENTIONAL PTO SHAFT 510 S 104 - Z= 8 X 30

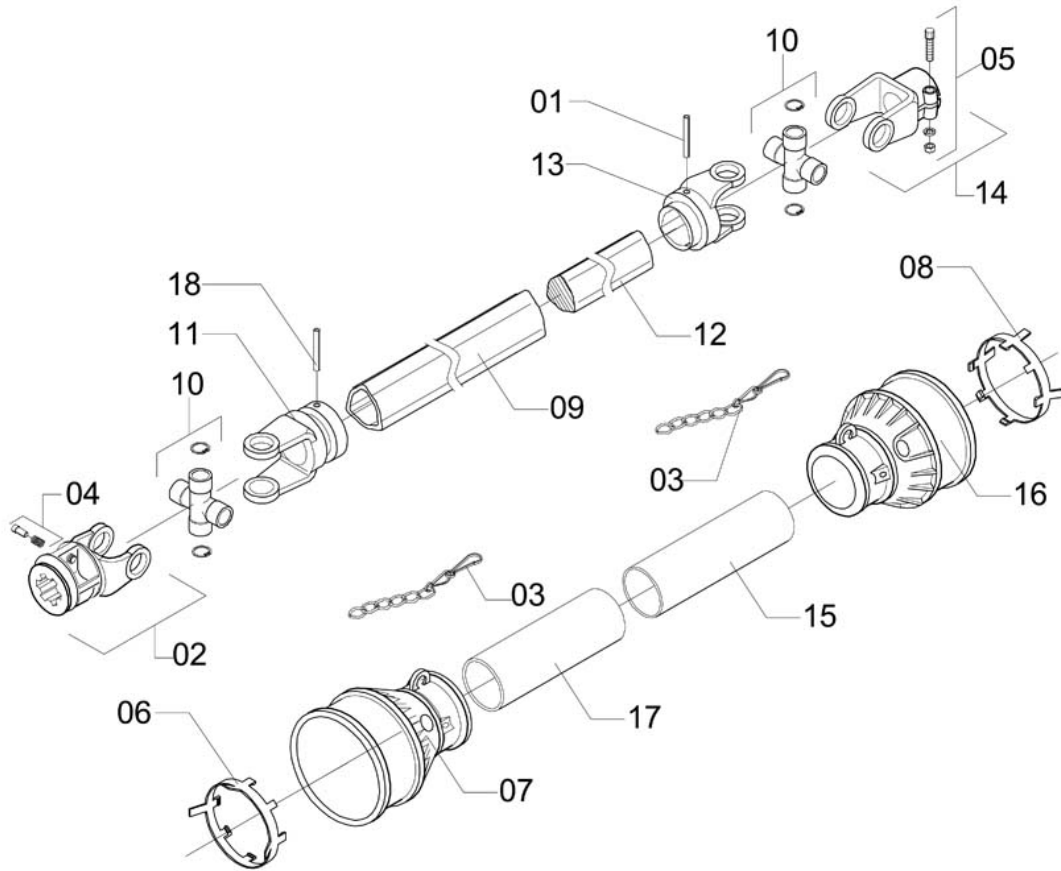


CN-30

Item	CODE	DESCRIPTION	Qty.	Item	CODE	DESCRIPTION	Qty.
00	049162	Conventional PTO shaft 510 S 104 - Z= 8 x 30	1				
01	207449	Flexible pin 8 x 55	1				
02	959766	Coupling end with lock - tractor end (1.3/8"Z=8)	1				
03	457127	Chain	2				
04	457176	Lock with spring	1				
05	457192	Bolt and nut	1				
06	572289	Shield lock	1				
07	572297	Cross shield (PTO end)	1				
08	572339	Shield lock	1				
09	626424	Female tube 670	1				
10	724575	Cross assembly	2				
11	724583	Inner coupling end (tractor end)	1				
12	626432	Male tube 670	1				
13	724625	Inner coupling end -(sprayer end)	1				
14	1163229	External coupling end - implement side	1				
15	626457	Guard - male tube 617	1				
16	724682	Cross shield (sprayer end)	1				
17	626440	Guard - female tube 617	1				
18	910224	Flexible pin 8 x 60	1				

Controlled copy – Distribution and reproduction prohibited

PTO SHAFT 710 WITH SHIELD (102 Z= 6 30)

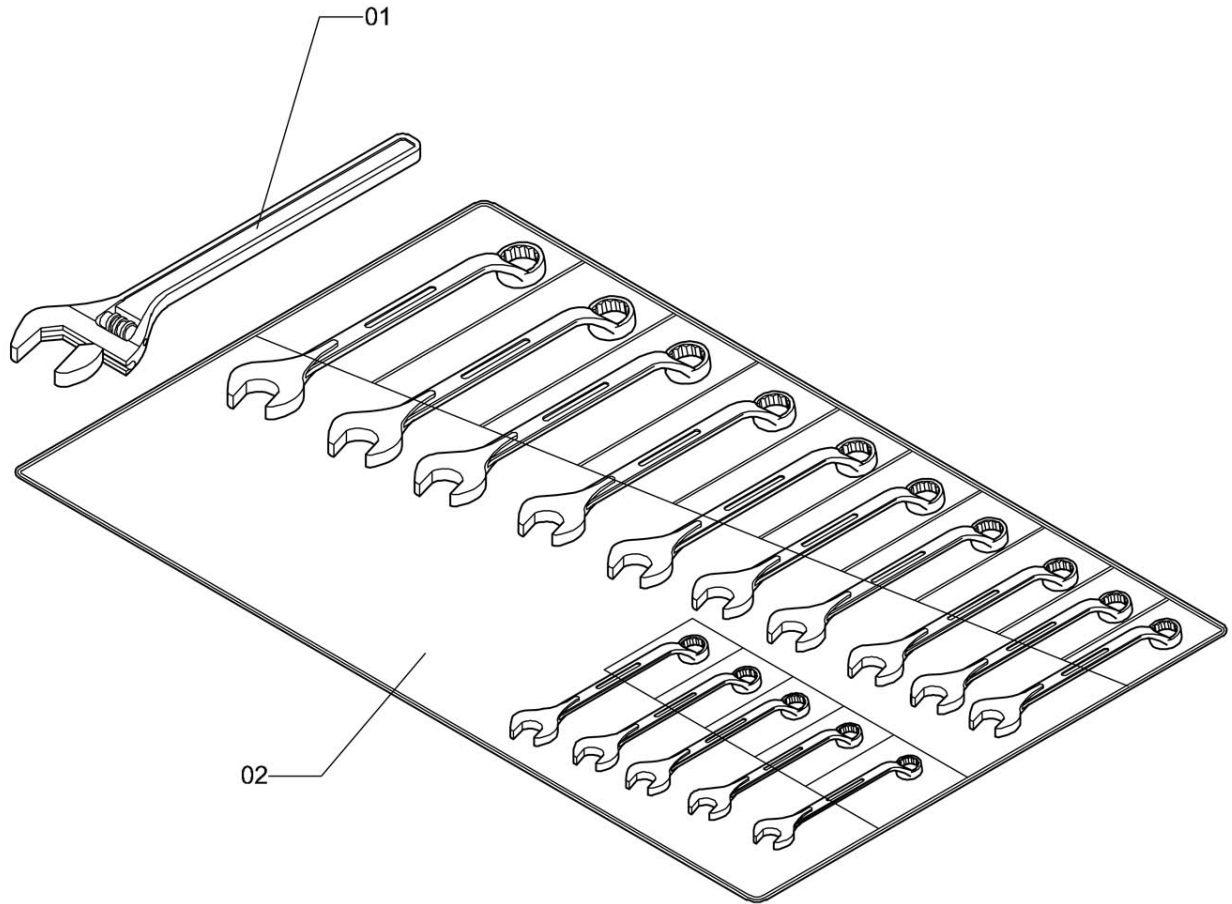


CN-30

Item	CODE	DESCRIPTION	Qty.	Item	CODE	DESCRIPTION	Qty.
00	558924	PTO shaft 710 with shield (102 Z= 6 30)	1				
01	912626	Flexible pin	1				
02	207589	Coupling end with lock - tractor end (1.3/8"Z=6)	1				
03	457127	Chain	2				
04	210641	Lock with spring	1				
05	457192	Bolt and nut	1				
06	643510	Shield lock	1				
07	643676	Cross shield (PTO end)	1				
08	643569	Shield lock	1				
09	643650	Female tube	1				
10	643411	Cross	2				
11	952761	Internal coupling end - tractor end	1				
12	643668	Male tube	1				
13	952753	Internal coupling end - sprayer end	1				
14	643502	Coupling end (sprayer end)	1				
15	303552	Guard - male tube 636	1				
16	643700	Cross shield (sprayer end)	1				
17	303180	Guard - female tube 636	1				
18	207449	Flexible pin 8 x 55	1				

Controlled copy – Distribution and reproduction prohibited

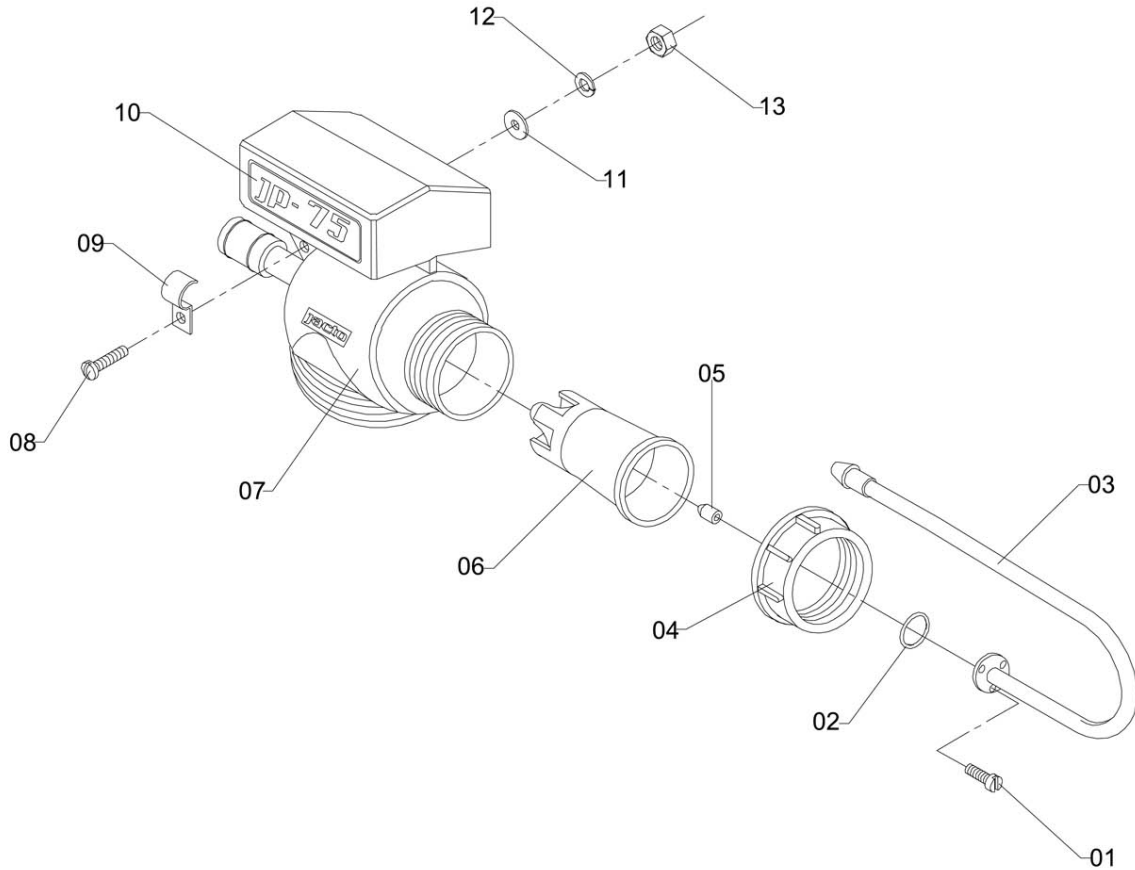
ASSEMBLY - COMBINATION WRENCH + SCREW WRENCH (FOR EXPORT)



CXA-140

Item	CODE	DESCRIPTION	Qty.	Item	CODE	DESCRIPTION	Qty.
00	489211	Assembly - combination wrench + screw wrench (for export)	1				
01	489260	Screw wrench 18" (for export)	1				
02	489229	Combined wrench kit "ROBUST" (for export)	1				

FILLER UNIT BODY

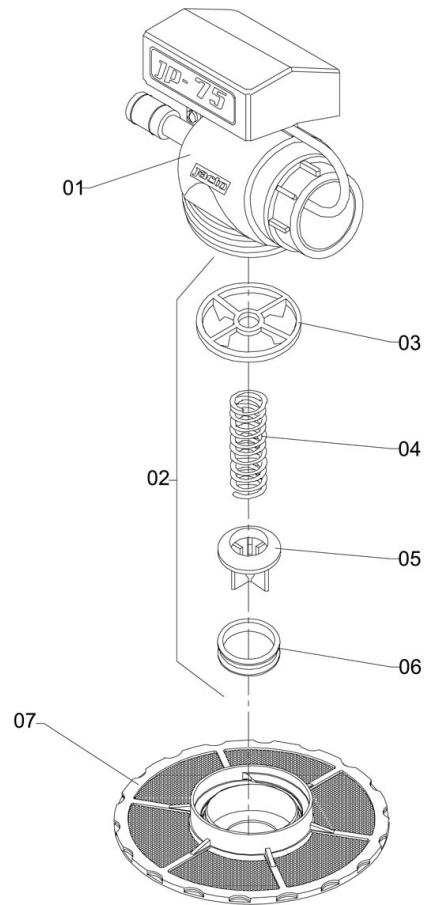


A-58

Item	CODE	DESCRIPTION	Qty.	Item	CODE	DESCRIPTION	Qty.
00	323774	Filler unit body	1				
01	913392	Self-tapping screw 6x20 f.p.p. x 3/8"	3				
02	417709	O-ring OR1 -012	1				
03	107185	Injection nozzle	1				
04	809848	Fixed nut	1				
05	322537	Dosage bushing	1				
06	107151	Injection venturi	1				
07	327155	Filler body	1				
08	912642	Screw 1/4" UNC x 5/8"	1				
09	107201	Clamp 13	1				
10	052233	Sticker: "JP-75"	1				
11	358267	Flat washer 64 x 125 x 16	1				
12	910117	Lock washer 1/4"	1				
13	912741	Nut 1/4" - 20 UNC	1				

Controlled copy – Distribution and reproduction prohibited

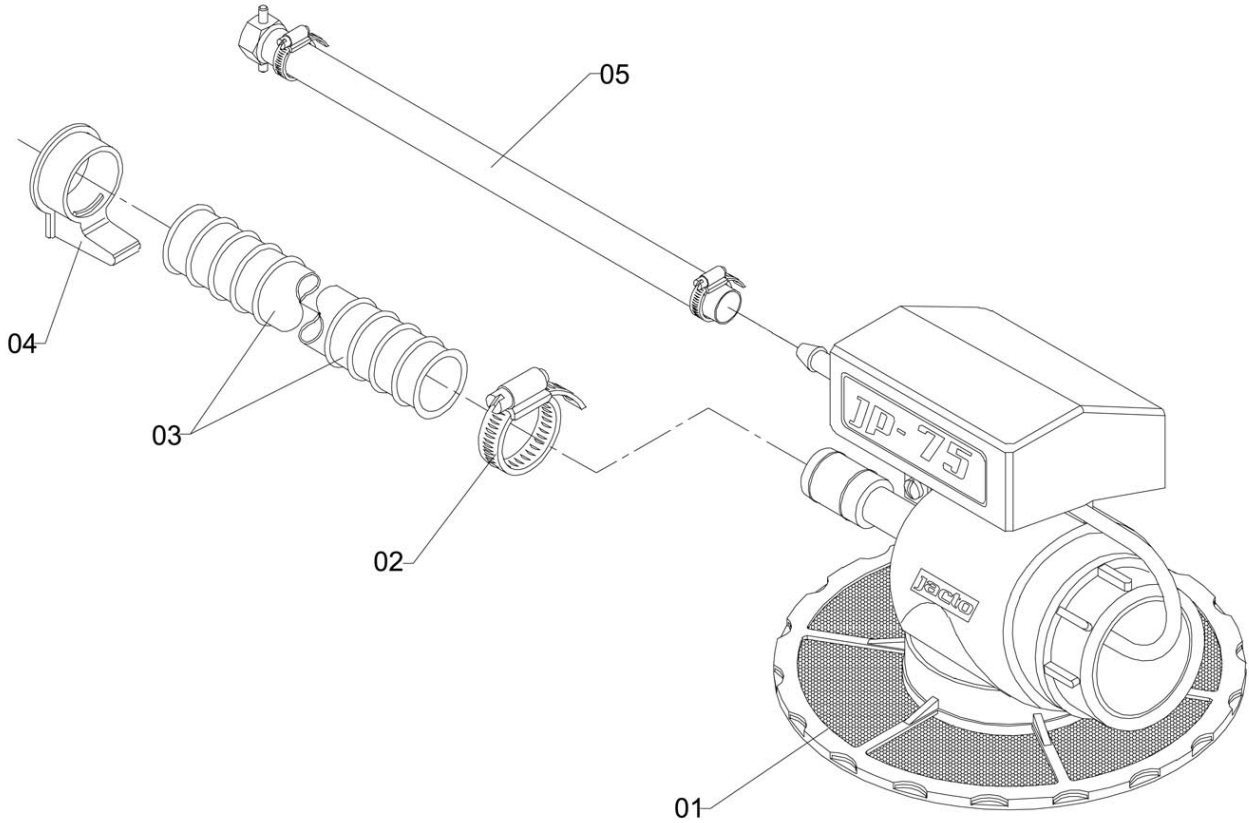
FILLER UNIT FOR 75 L/MIN (WITHOUT HOSE)



A-59

Item	CODE	DESCRIPTION	Qty.	Item	CODE	DESCRIPTION	Qty.
00	323766	Filler unit for 75 L/min (without hose)	1				
01	323774	Filler unit body	1				
02	114967	Filler unit repair kit	1				
03	612721	Spring seat	1				
04	612861	Spring	1				
05	612739	Ejector valve	1				
06	612705	Valve packing	1				
07	111542	Filtering element with hub and screw	1				

FILLER UNIT 75 L/MIN. (WITH 10-METER HOSE)

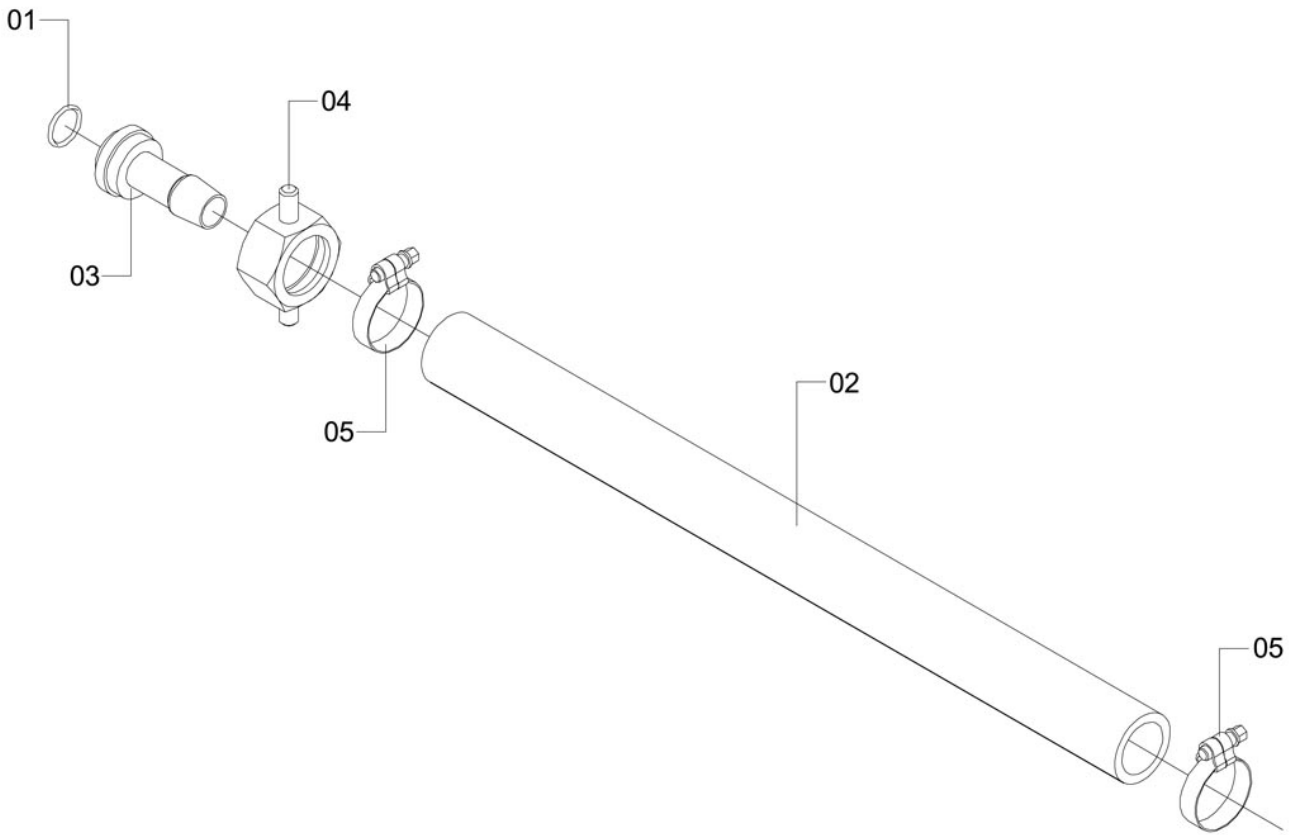


A-62

Item	CODE	DESCRIPTION	Qty.	Item	CODE	DESCRIPTION	Qty.
00	058452	Filler unit 75 L/min. (with 10-meter hose)	1				
01	323766	Filler unit for 75 L/min (without hose)	1				
02	626580	Clamp D51-64	1				
03	450130	Hose 2" x 10 (KE50)	1				
04	455006	Hose bracket	1				
05	058445	Hose 1/2" with fitting and nut 1.1/4"	1				

Controlled copy – Distribution and reproduction prohibited

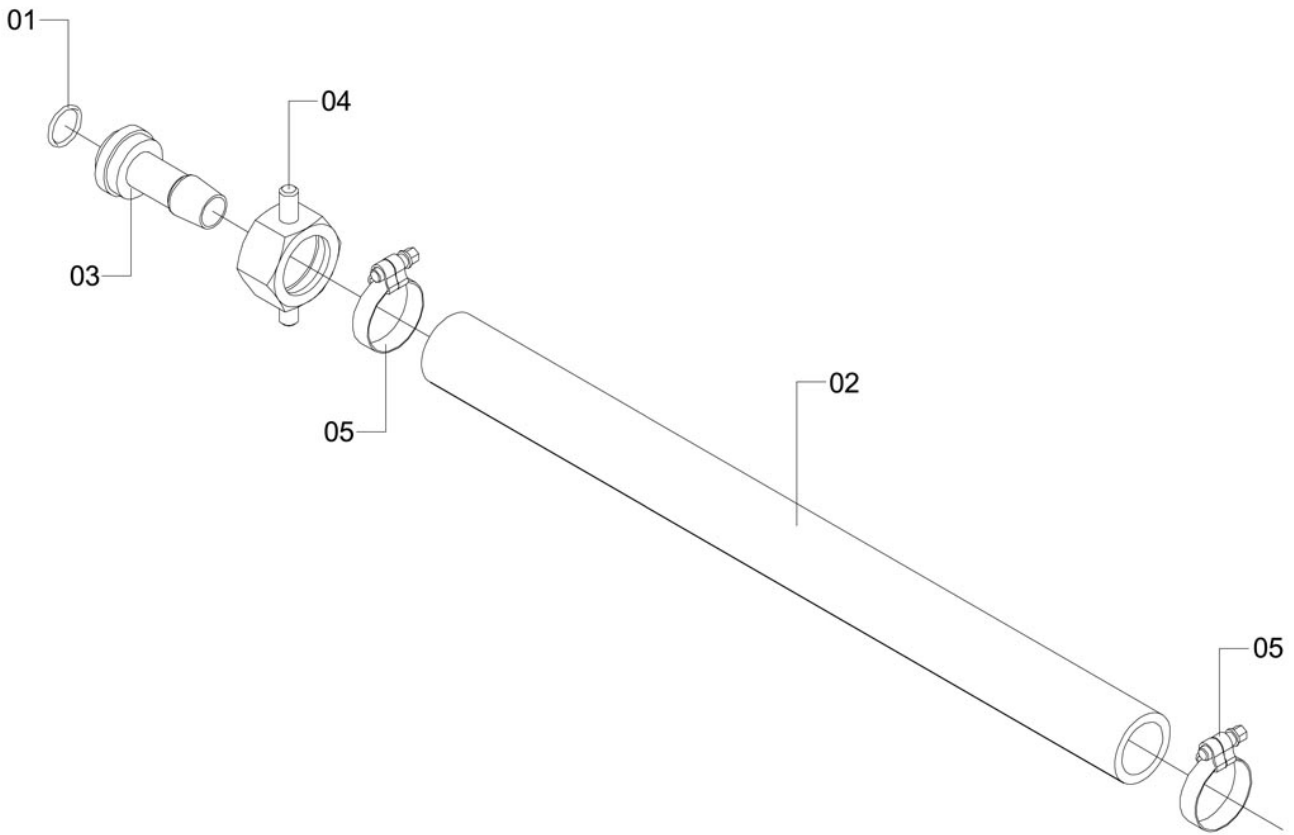
HOSE 1/2" WITH FITTING AND NUT 1.1/4"



A-37

Item	CODE	DESCRIPTION	Qty.	Item	CODE	DESCRIPTION	Qty.
00	058445	Hose 1/2" with fitting and nut 1.1/4"	1				
01	731521	O-ring OR1 - 124	1				
02	131250	Hose 12.7 (1/2") x 1000	1				
03	731539	Hose fitting 1/2"	1				
04	731497	Hexagonal wing nut 1 1/4" BSP	1				
05	107664	Clamp D14-22 - stainless steel	2				

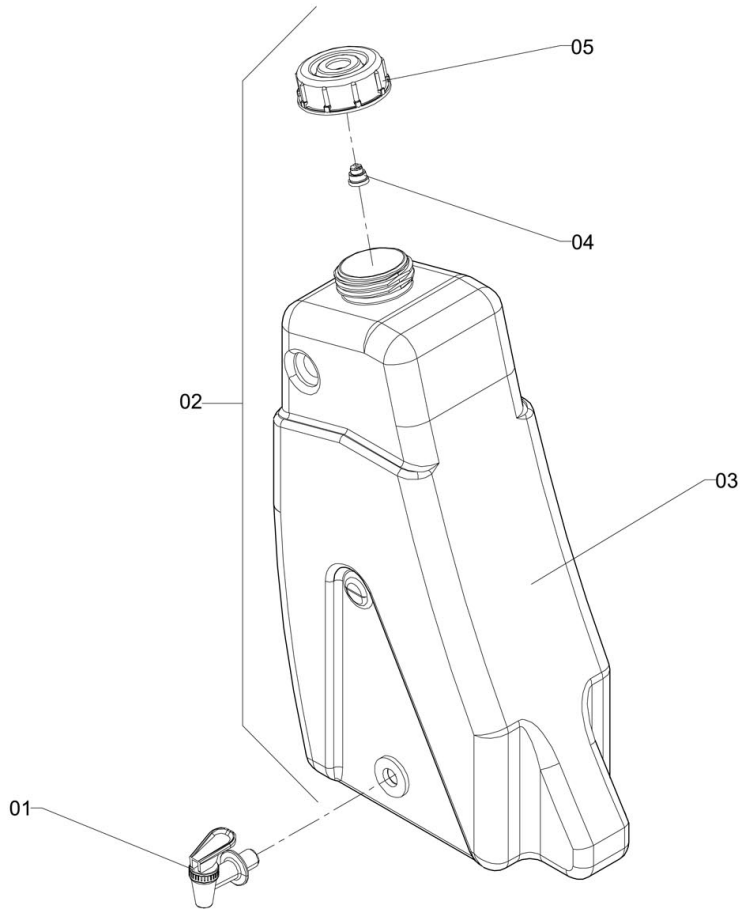
HOSE 1/2" WITH FITTING AND WING NUT 1.1/4"



A-37

Item	CODE	DESCRIPTION	Qty.	Item	CODE	DESCRIPTION	Qty.
00	133751	Hose 1/2" with fitting and wing nut 1.1/4"	1				
01	731521	O-ring OR1 - 124	1				
02	723718	Hose 1/2" x 5000	1				
03	731539	Hose fitting 1/2"	1				
04	731497	Hexagonal wing nut 1 1/4" BSP	1				
05	107664	Clamp D14-22 - stainless steel	2				

15-LITER TANK- LEFT

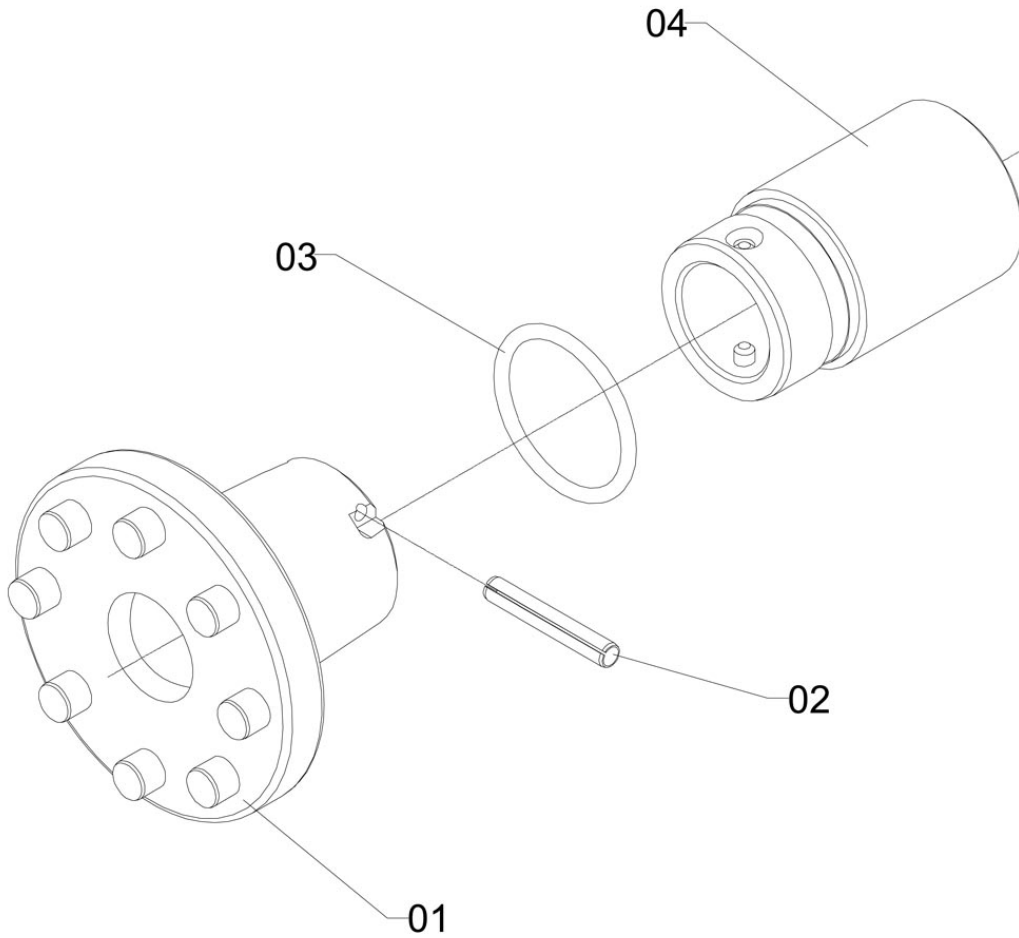


D-176

Item	CODE	DESCRIPTION	Qty.	Item	CODE	DESCRIPTION	Qty.
00	133215	15-liter tank- left	1				
01	044180	Plastic tap 23 x 3/8" BSP	1				
02	134064	15-liter tank - left	1				
03	097774	15-liter tank	1				
04	247270	Breather	1				
05	247262	Cover	1				

Controlled copy – Distribution and reproduction prohibited

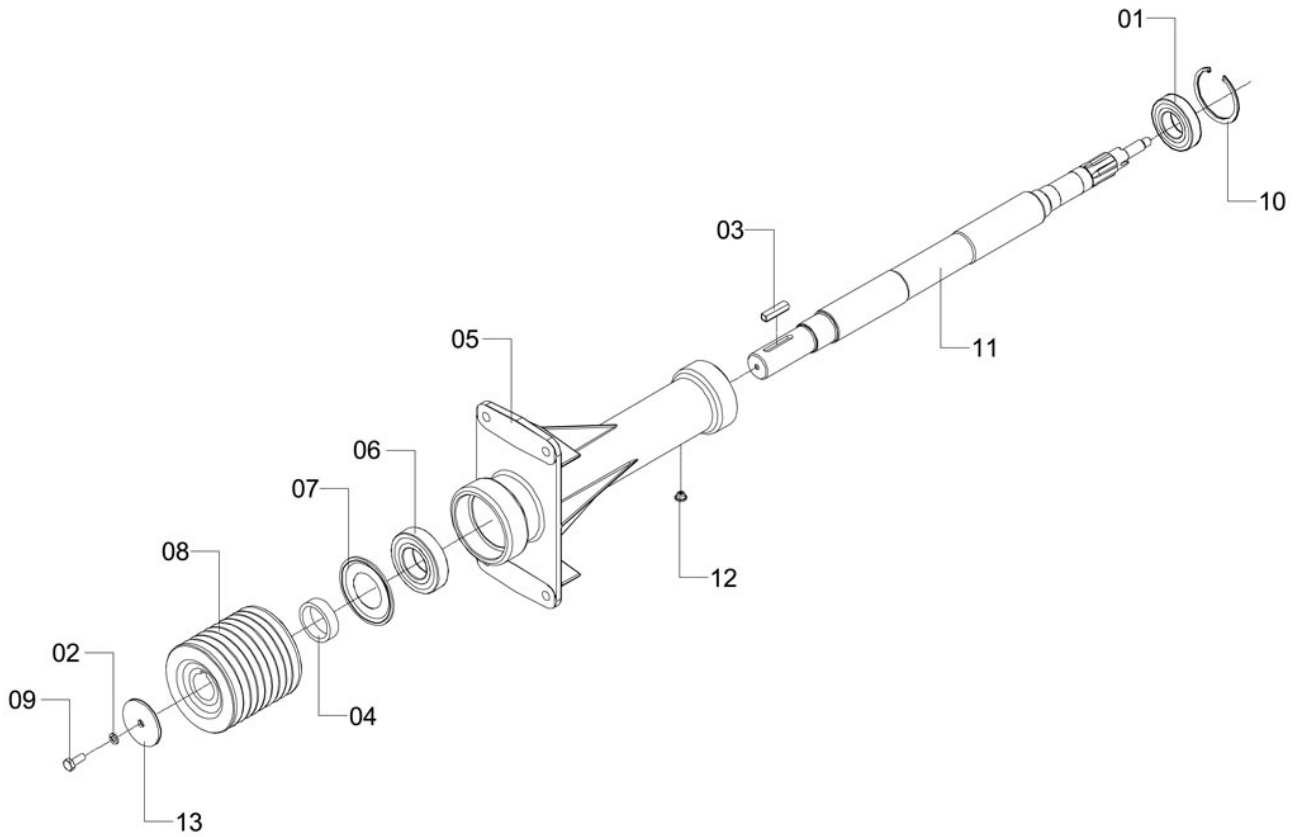
GROOVED HUB WITH HITCH



TMV-52

Item	CODE	DESCRIPTION	Qty.	Item	CODE	DESCRIPTION	Qty.
00	177055	Grooved hub with hitch	1				
01	018713	Grooved hub with pins	1				
02	427567	Flexible pin 5 x 32	1				
03	011643	O-ring ORI-129	1				
04	201103	Coupling hub	1				

FAN BEARING WITH PULLEY 105

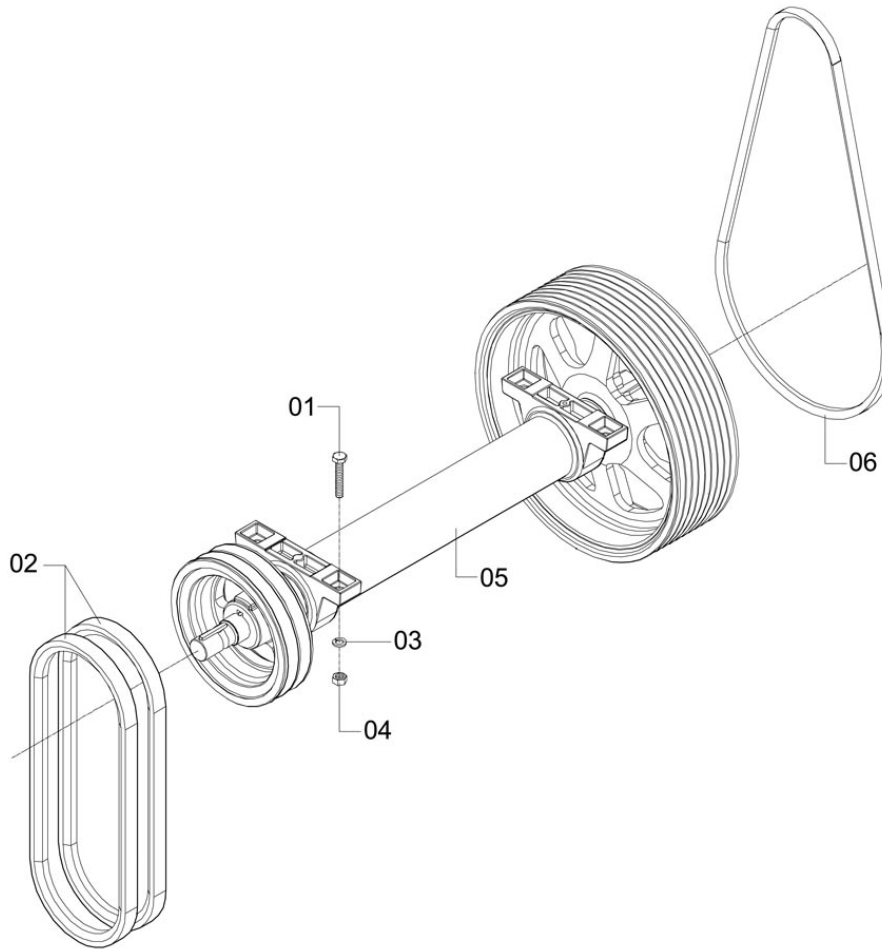


TMV-70

Item	CODE	DESCRIPTION	Qty.	Item	CODE	DESCRIPTION	Qty.
00	164509	Fan bearing with pulley 105	1				
01	203737	Fixed bearing	1				
02	519736	Lock washer M8	1				
03	519793	Square key - 9.53 (3/8") x 45	1				
04	728576	Spacer 15	1				
05	728840	Transmission bearing	1				
06	728899	Fixed bearing	1				
07	728907	Packing ring	1				
08	818500	Pulley 105 - 9 - 3V	1				
09	910794	Hex. bolt 5/16" - 24 UNF x 5/8"	1				
10	324145	Snap ring for hole 80	1				
11	039248	Shaft 785	1				
12	430652	Bearing breather	1				
13	507665	Flat washer 82 x 506 x 30	1				

Controlled copy – Distribution and reproduction prohibited

DRIVE TRANSMISSION AND COMPLEMENTS

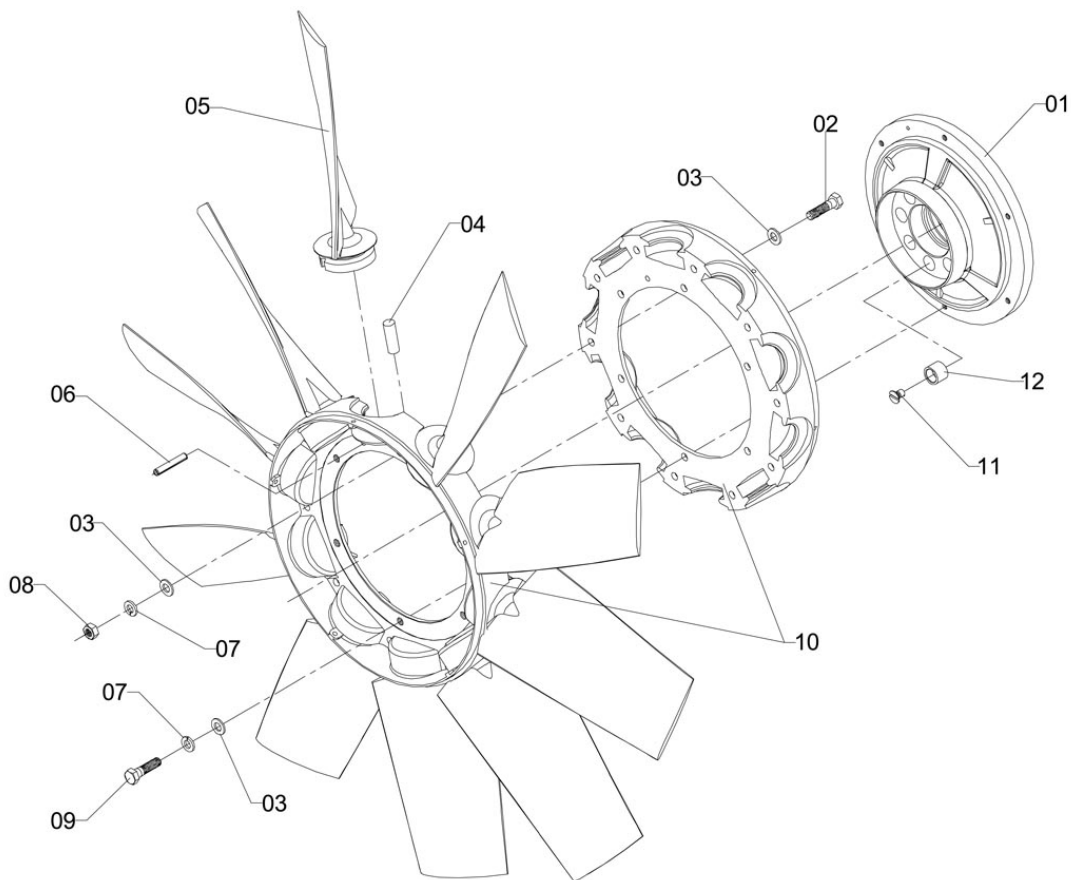


TMT-231

Item	CODE	DESCRIPTION	Qty.	Item	CODE	DESCRIPTION	Qty.
00	629071	Drive transmission and complements	1				
01	747923	Screw 1/2" - 13 UNC x 1.3/4	4				
02	630871	Trapezoid belt B-39	2				
03	908582	Lock washer 1/2"	4				
04	912790	Hex. nut 1/2" - 13 UNC	4				
05	159814	Drive transmission	1				
06	341024	Trapezoid belt Super HC 3V-710	9				

Controlled copy – Distribution and reproduction prohibited

FAN ASSEMBLY

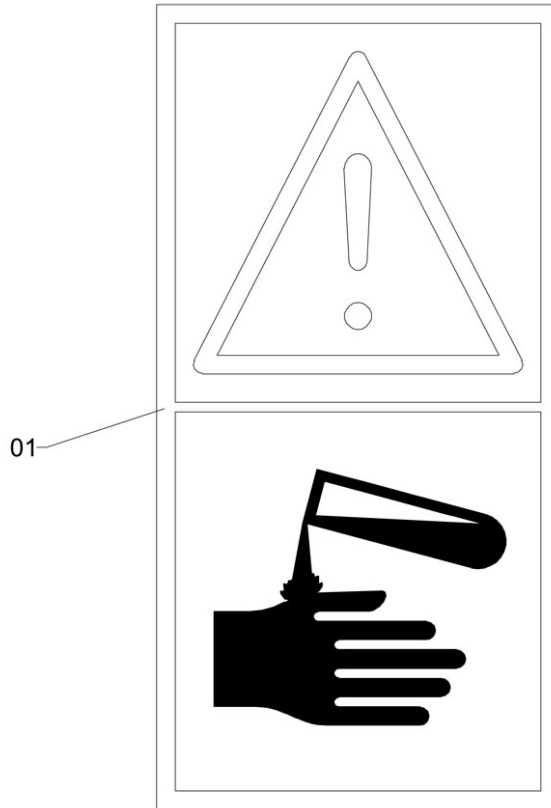


TMV-53

Item	CODE	DESCRIPTION	Qty.	Item	CODE	DESCRIPTION	Qty.
00	348995	Fan assembly	1				
01	018481	Flange hub	1				
	721704	Hex. bolt 5/16" UNC 1.1/4"	10				
03	013433	Flat washer 4.8 x 16 x 1.6 inox	26				
04	298182	Pin 8.40 x 14	10				
05	038661	Fan blade 850	10				
06	330076	Flexible pin 4 x 16 (heavy)	1				
07	519736	Lock washer M8	16				
08	912758	Hex. nut 5/16" - 18 UNC	10				
09	826693	Bolt 5/16" x 1.1/2"	6				
10	018663	Blade fastening flange (outer)	2				
11	939140	Screw M6 x 16	8				
12	937607	Bushing 17.6 x 16	8				

Controlled copy – Distribution and reproduction prohibited

STICKER (HAZARDOUS SUBSTANCES)



ADS-201

Item	CODE	DESCRIPTION	Qty.	Item	CODE	DESCRIPTION	Qty.
00	1163706	Sticker (Hazardous substances)	1				
01	1163706	Sticker "Hazardous Substances"	1				

STICKERS: RIGHT (ARBUS 400 GOLDEN)

01

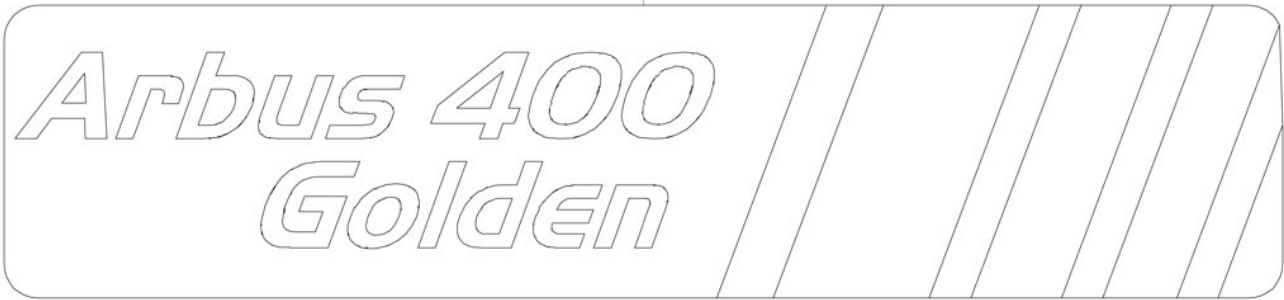


ADS-116

Item	CODE	DESCRIPTION	Qty.	Item	CODE	DESCRIPTION	Qty.
00	1179601	Stickers: Right (Arbus 400 Golden)	1				
01	1179601	Stickers: Right (Arbus 400 Golden)	1				

STICKERS: LEFT (ARBUS 400 GOLDEN)

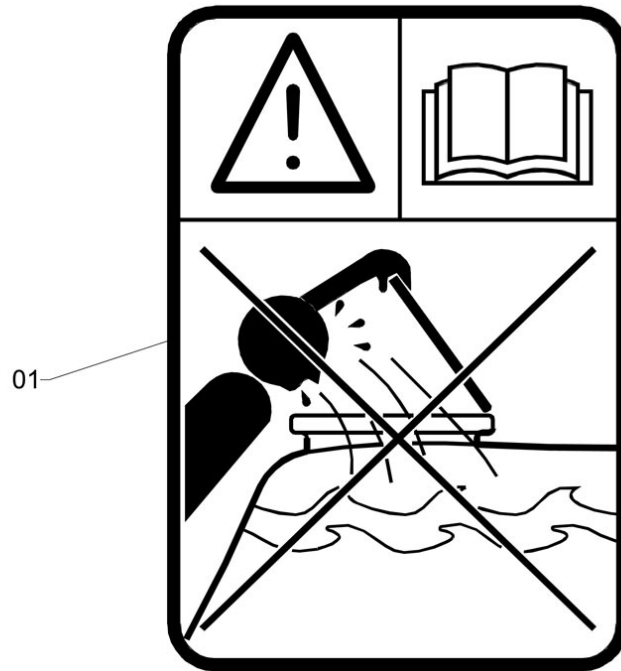
01



ADS-117

Item	CODE	DESCRIPTION	Qty.	Item	CODE	DESCRIPTION	Qty.
00	1180068	Stickers: Left (Arbus 400 Golden)	1				
01	1180068	Stickers: Left (Arbus 400 Golden)	1				

STICKER (BE CAREFUL WHEN OPENING THE TANK LID)



ADS-200

Item	CODE	DESCRIPTION	Qty.	Item	CODE	DESCRIPTION	Qty.
00	379172	Sticker (Be careful when opening the tank lid)	1				
01	379172	Decal "Attention: Be careful when opening the lid of the main tank."	1				

STICKER - "ANTI-FREEZING TEST OK"

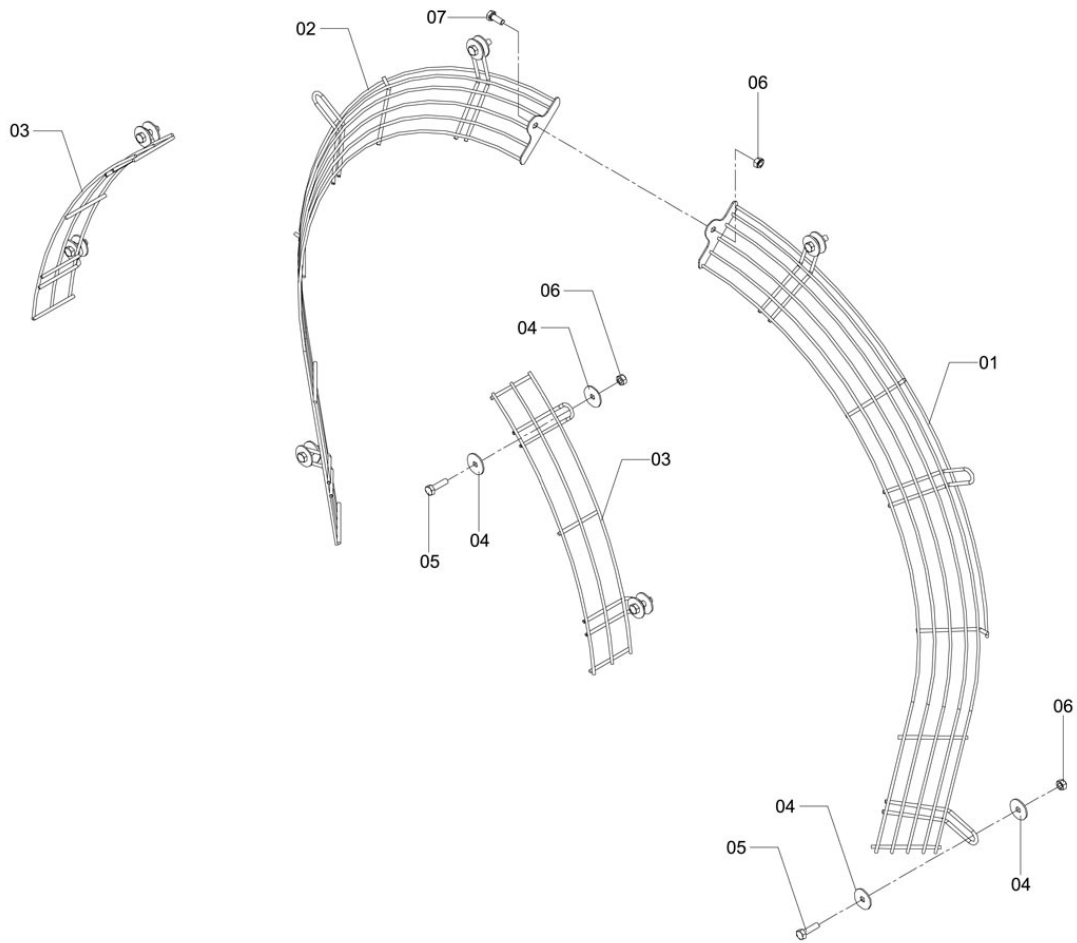
01



ADS-99

Item	CODE	DESCRIPTION	Qty.	Item	CODE	DESCRIPTION	Qty.
00	1152793	Sticker - "Anti-freezing test OK"	1				
01	1152793	Sticker - "Anti-freezing test OK"	1				

SIDE GUARD ASSEMBLY - 2P

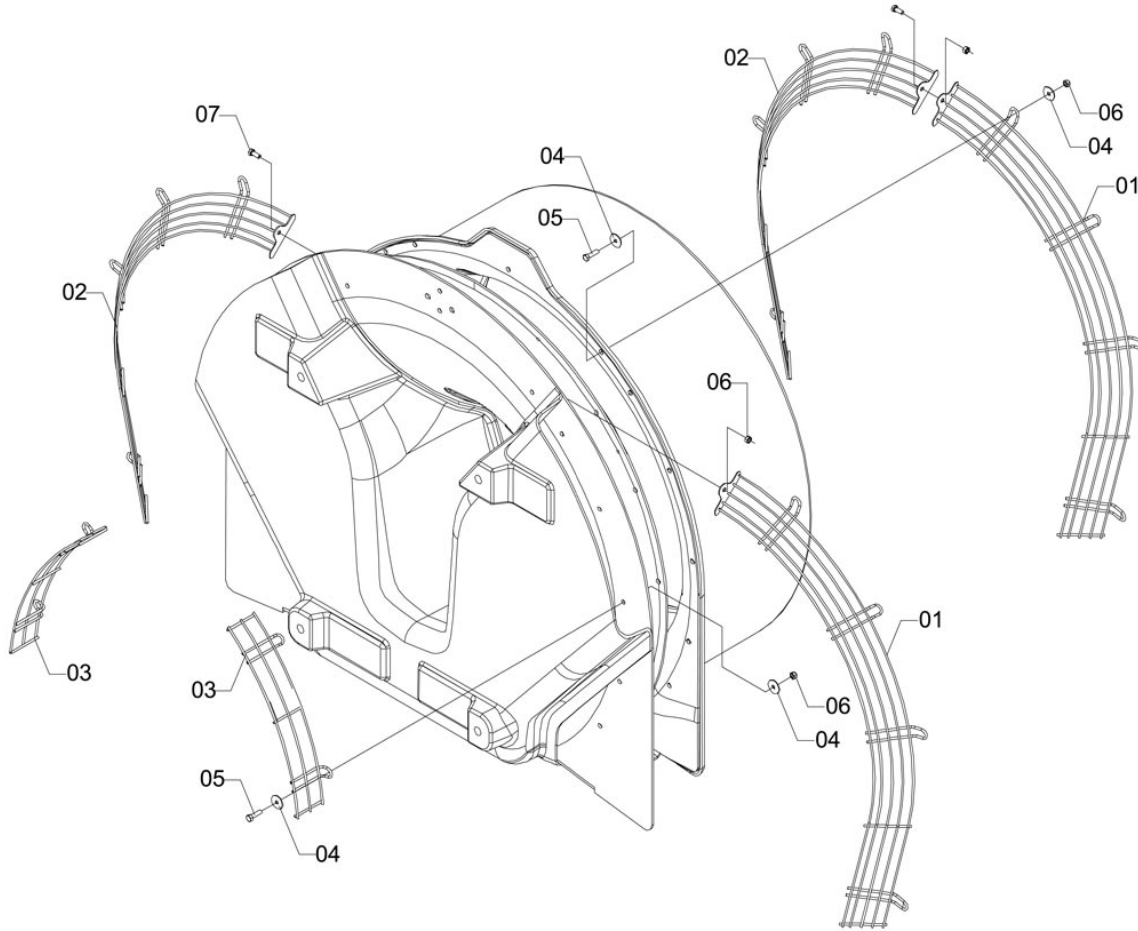


C-431

Item	CODE	DESCRIPTION	Qty.	Item	CODE	DESCRIPTION	Qty.
00	1176041	Side guard assembly - 2P	1				
01	1184268	Left side guard screen	1				
02	1184286	Right side guard screen	1				
03	1175171	Guard Screen of 3rd Deflector 3P	2				
04	1161451	Flat washer 8.7 x 32 x 1.98 (stainless)	16				
05	448233	Bolt M8 x 30 x 1,25	8				
06	411272	Hexagonal nut M 8 x 1,25 - inox	9				
07	924746	Hex head bolt M8 x 20 x 1.25 - stainless steel	1				

Controlled copy – Distribution and reproduction prohibited

SIDE GUARD ASSEMBLY - 3P

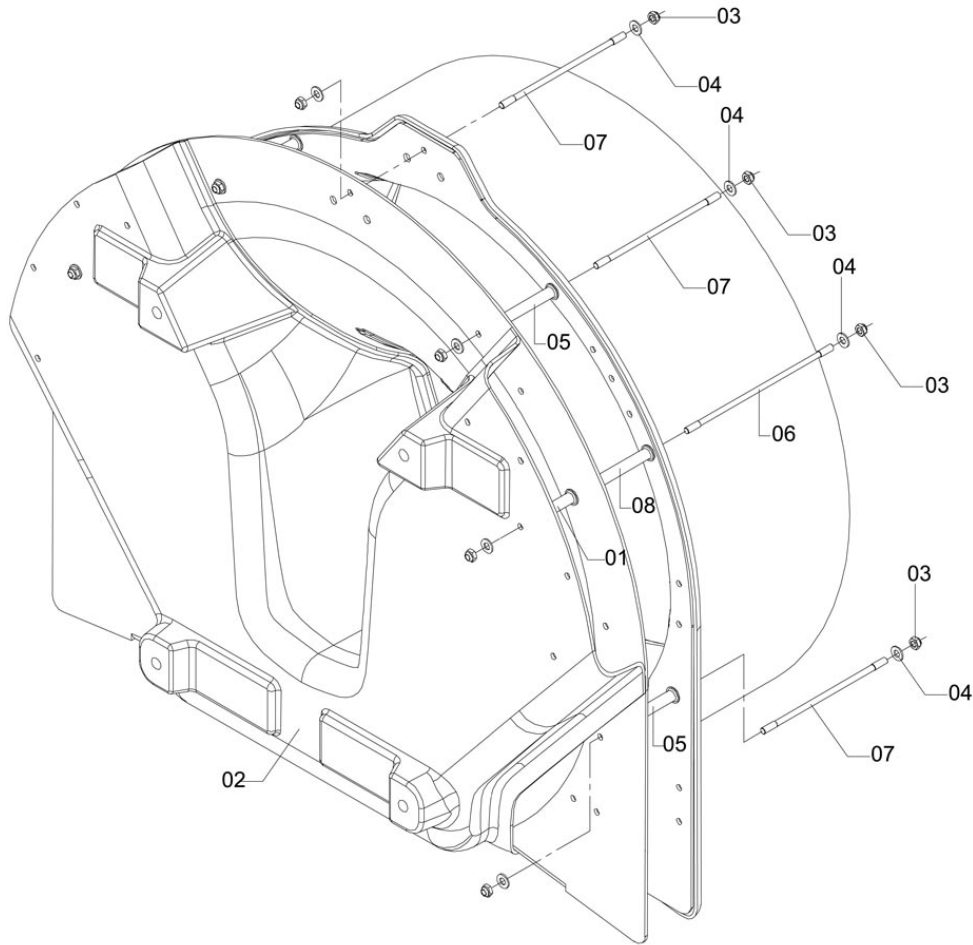


C-430

Item	CODE	DESCRIPTION	Qty.	Item	CODE	DESCRIPTION	Qty.
00	1176032	Side guard assembly - 3P	1				
01	1175112	Left side guard screen - 3P-850	2				
02	1175133	Right side guard screen - 3P-850	2				
03	1175171	Guard Screen of 3rd Deflector 3P	2				
04	1161451	Flat washer 8.7 x 32 x 1.98 (stainless)	40				
05	448233	Bolt M8 x 30 x 1,25	20				
06	411272	Hexagonal nut M 8 x 1,25 - inox	22				
07	924746	Hex head bolt M8 x 20 x 1.25 - stainless steel	2				

Controlled copy – Distribution and reproduction prohibited

DEFLECTOR - 2P

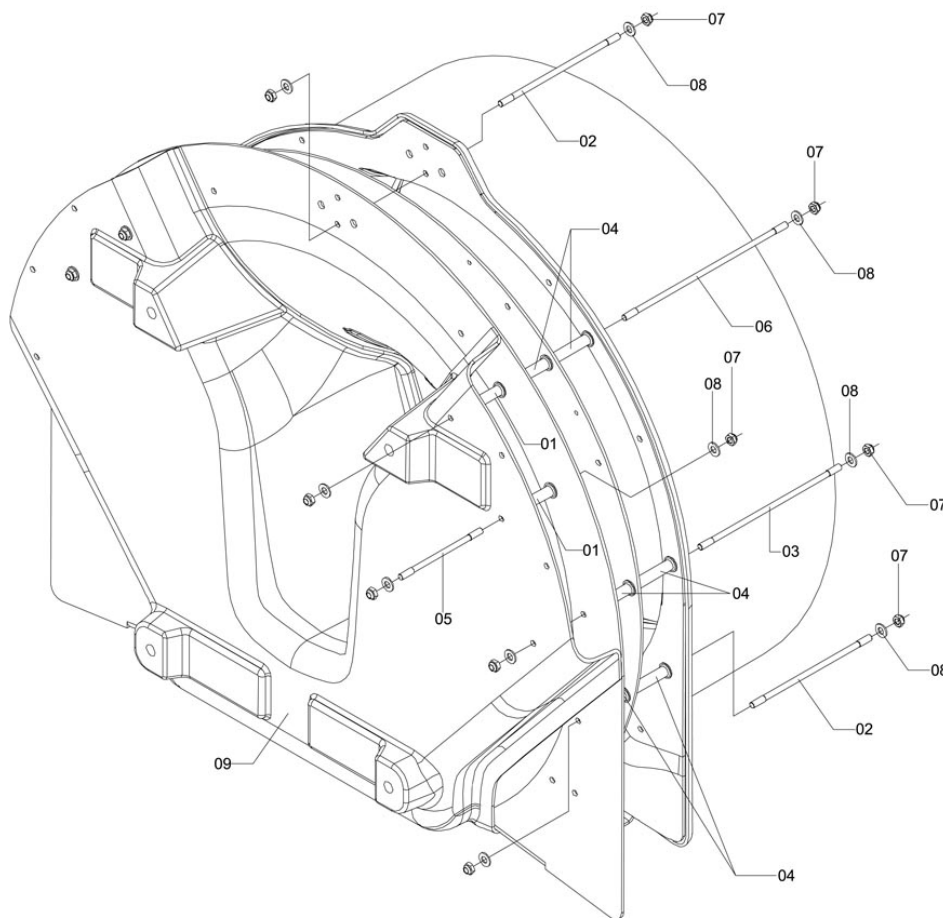


DF-54

Item	CODE	DESCRIPTION	Qty.	Item	CODE	DESCRIPTION	Qty.
00	127613	Deflector - 2P	1				
01	019414	Spacer bushing 91mm	2				
02	338475	Deflector	1				
03	354464	Nut parlock 3/8" - 16 UNC	14				
04	623884	Flat washer 105 x 210 x 20	14				
05	728410	Spacer bushing 116	4				
06	1192025	Stud bolt 3/8" x 285mm	2				
07	728444	Stud bolt 3/8" x 175mm	5				
08	679308	Spacer 112	2				

Controlled copy – Distribution and reproduction prohibited

DEFLECTOR- 3P

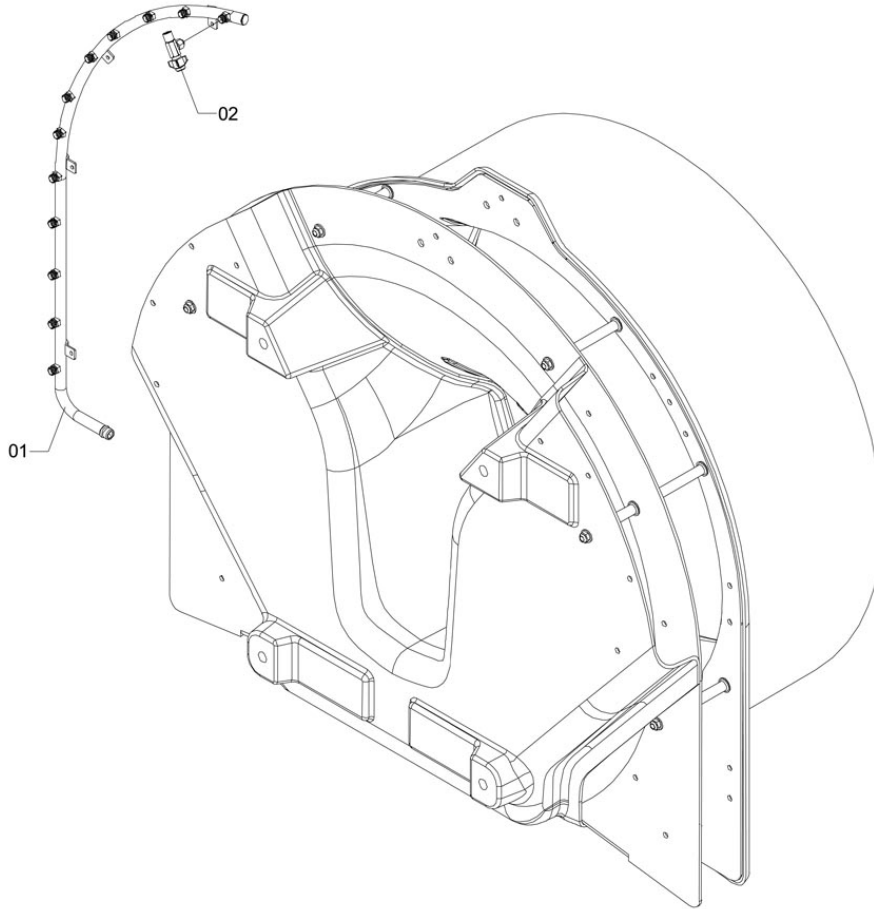


DF-55

Item	CODE	DESCRIPTION	Qty.	Item	CODE	DESCRIPTION	Qty.
00	016972	Deflector- 3P	1				
01	019414	Spacer bushing 91mm	4				
02	204750	Stud bolt 3/8" x 245	3				
03	238220	Stud bolt 3/8"- 16 UNC x 320	2				
04	325050	Spacer bushing 95	12				
05	327866	Stud bolt 3/8" - 16 UNC 145	2				
06	331140	Stud bolt 3/8" x 335	2				
07	354464	Nut parlock 3/8" - 16 UNC	18				
08	623884	Flat washer 105 x 210 x 20	18				
09	735092	Deflector	1				

Controlled copy – Distribution and reproduction prohibited

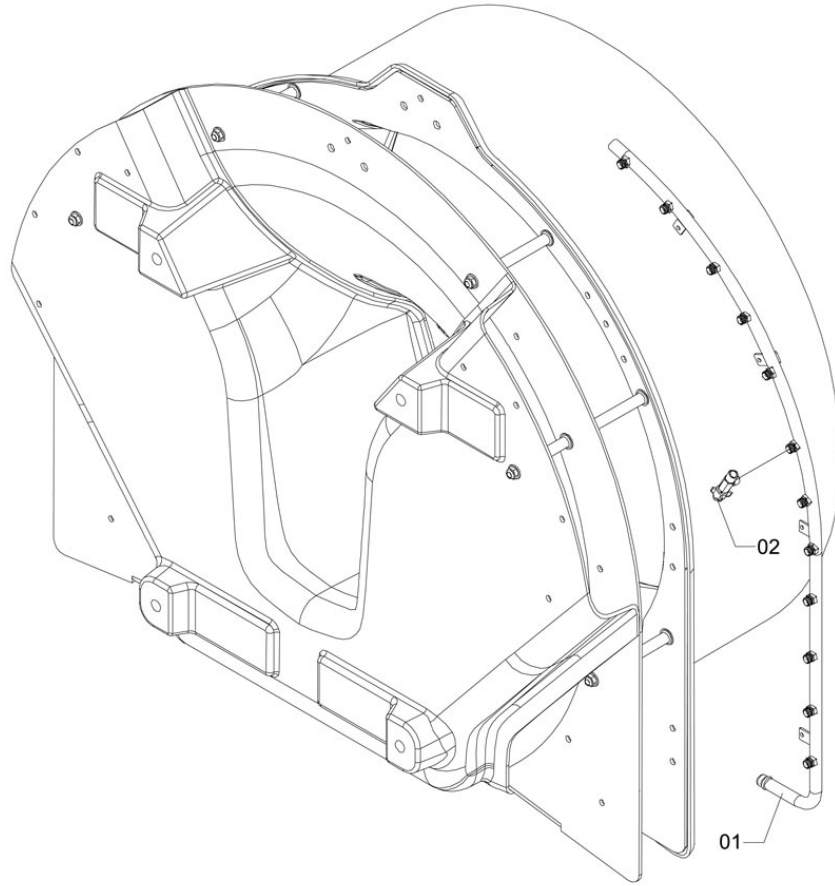
RIGHT BRANCH FOR 12 NOZZLES



BC-67

Item	CODE	DESCRIPTION	Qty.	Item	CODE	DESCRIPTION	Qty.
00	388686	Right branch for 12 nozzles	1				
01	332197	Right nozzle branch	1				
02	429332	Nozzle valve assembly	12				

LEFT BRANCH FOR 12 NOZZLES

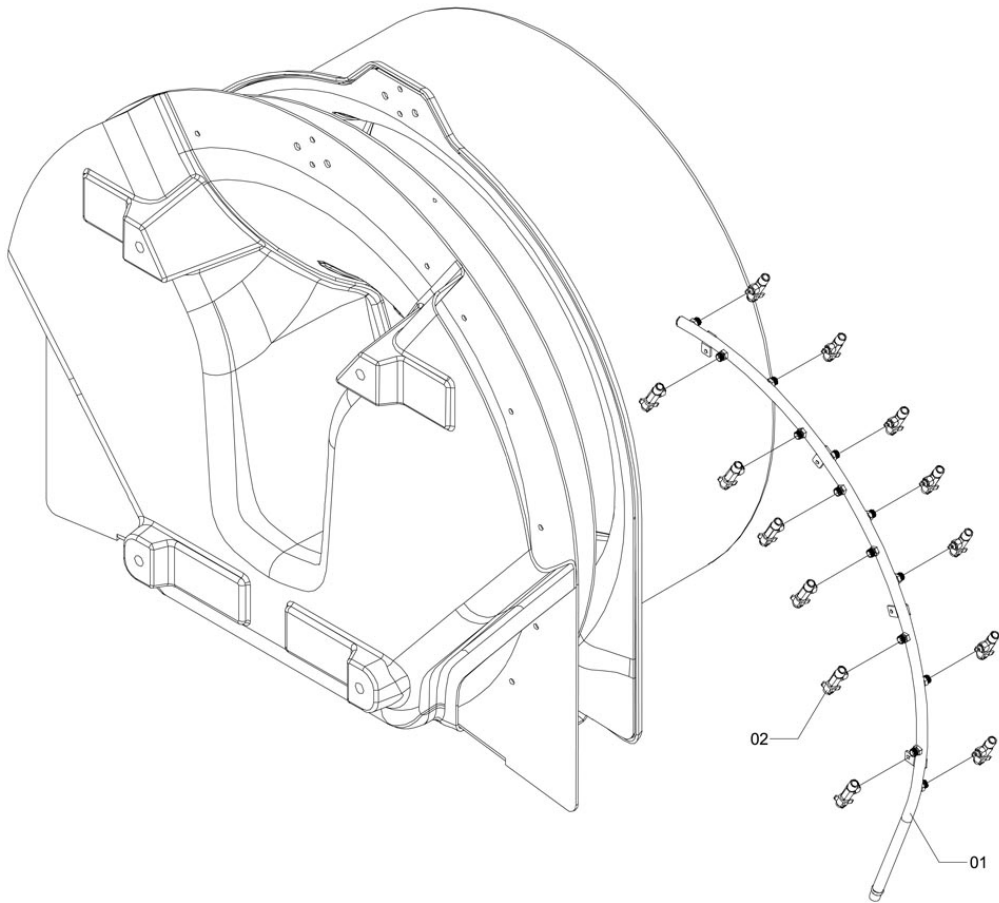


BC-66

Item	CODE	DESCRIPTION	Qty.	Item	CODE	DESCRIPTION	Qty.
00	388694	Left branch for 12 nozzles	1				
01	332353	Left nozzle branch	1				
02	429332	Nozzle valve assembly	12				

Controlled copy – Distribution and reproduction prohibited

LEFT BRANCH FOR 13 NOZZLES

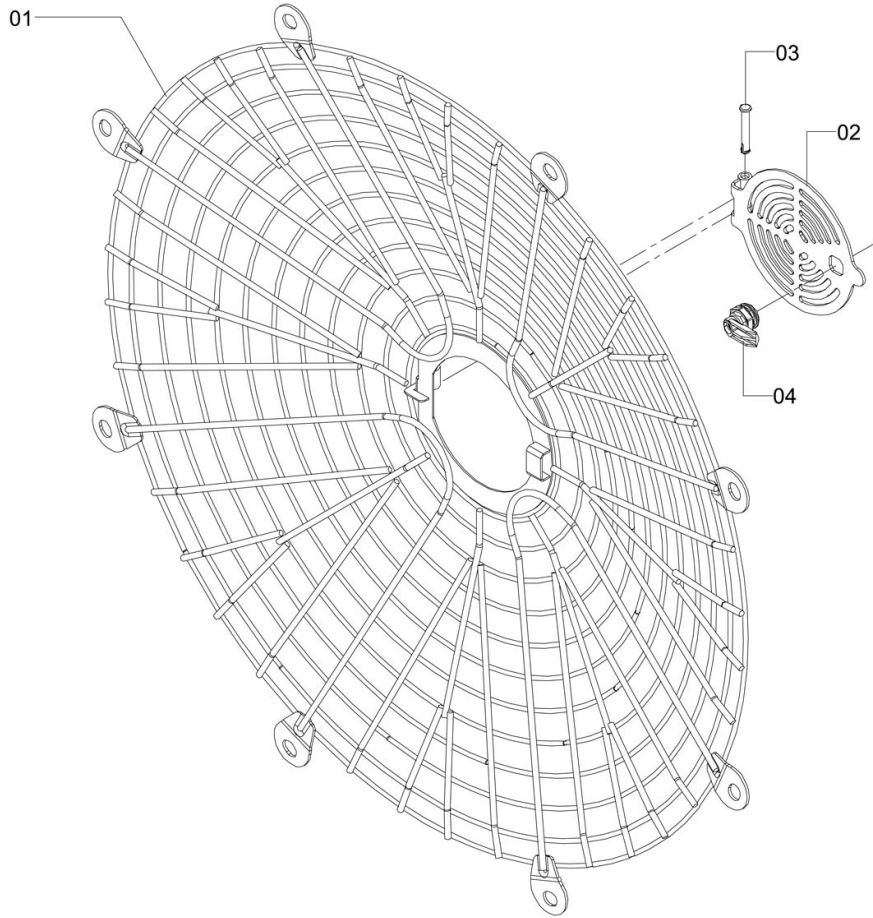


BC-65

Item	CODE	DESCRIPTION	Qty.
00	388744	Left branch for 13 nozzles	1
01	223669	Left nozzle branch	1
02	429332	Nozzle valve assembly	13

Item	CODE	DESCRIPTION	Qty.

GUARD SCREEN - ASSEMBLY



C-432

Item	CODE	DESCRIPTION	Qty.	Item	CODE	DESCRIPTION	Qty.
00	430942	Guard screen - assembly	1				
01	019463	Fan guard screen	1				
02	1165899	Grid unlcok	1				
03	847912	Chemical mixer articulator pin	1				
04	1169820	Plastic stop latch key	1				

Controlled copy – Distribution and reproduction prohibited